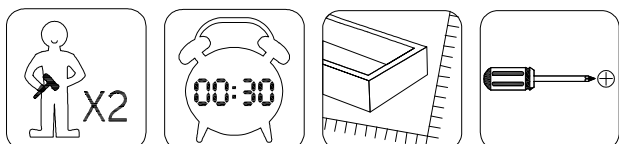
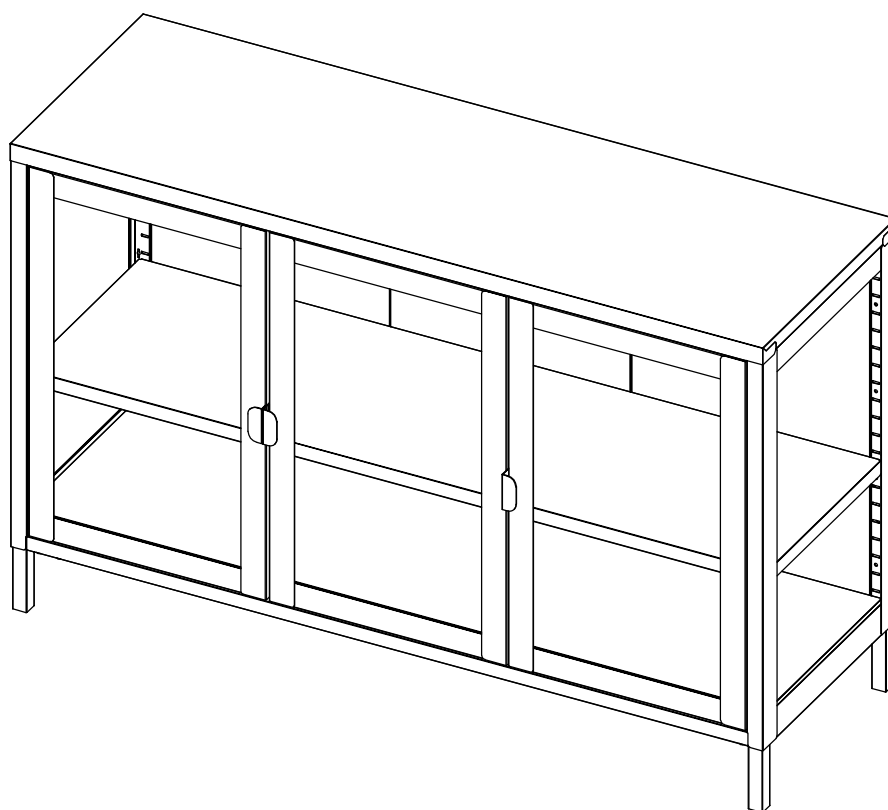
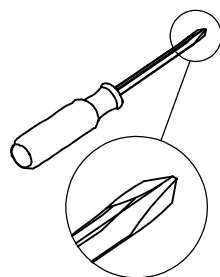
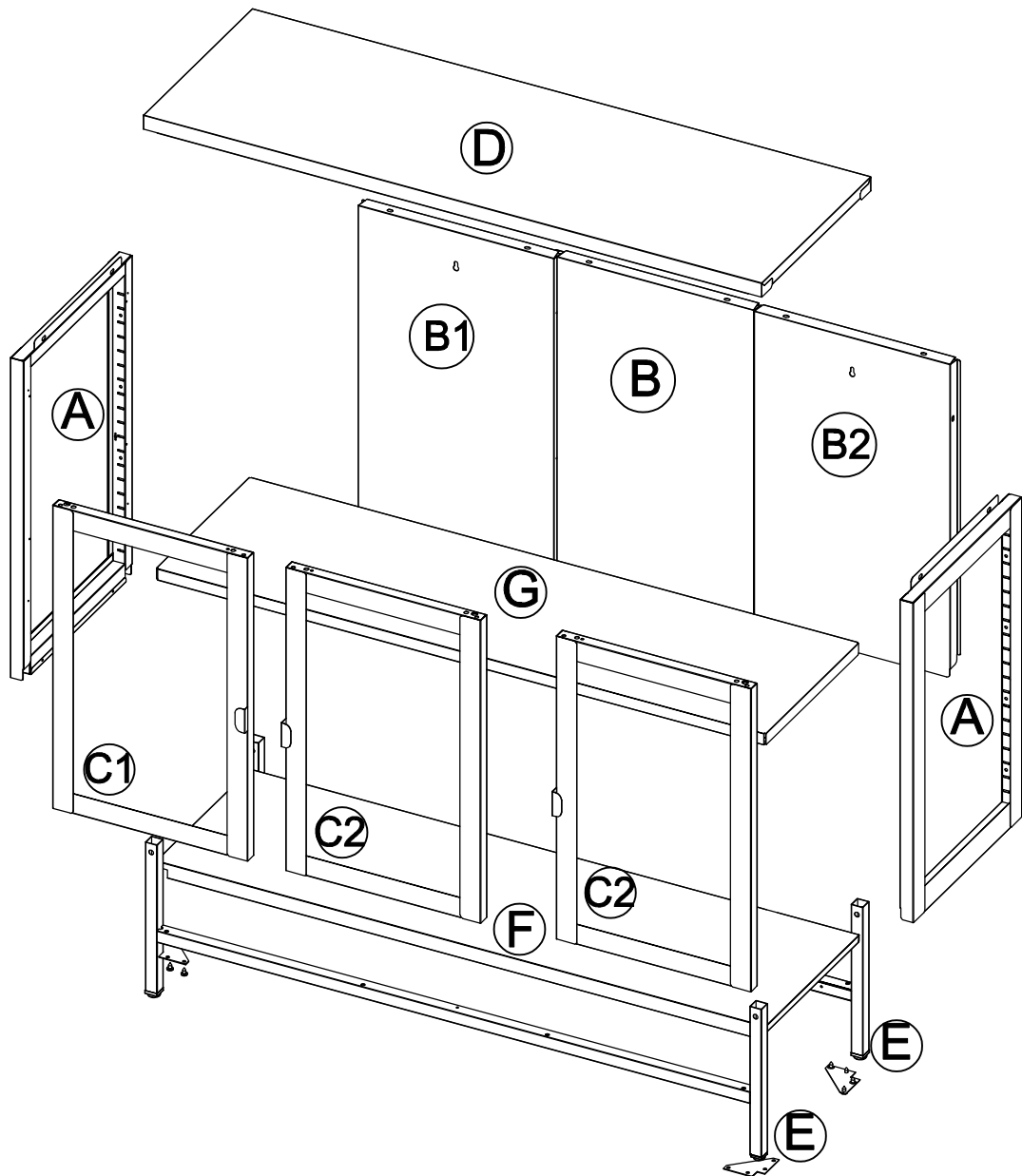


3001051

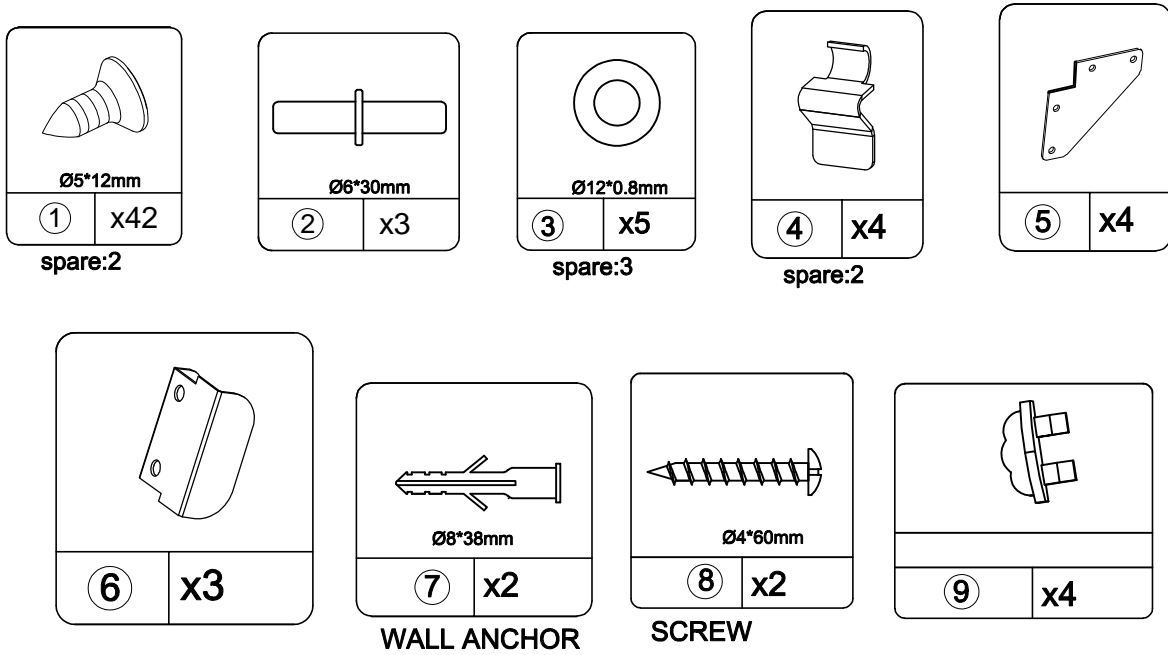
Brisbane Sideboard, white
with glass doors





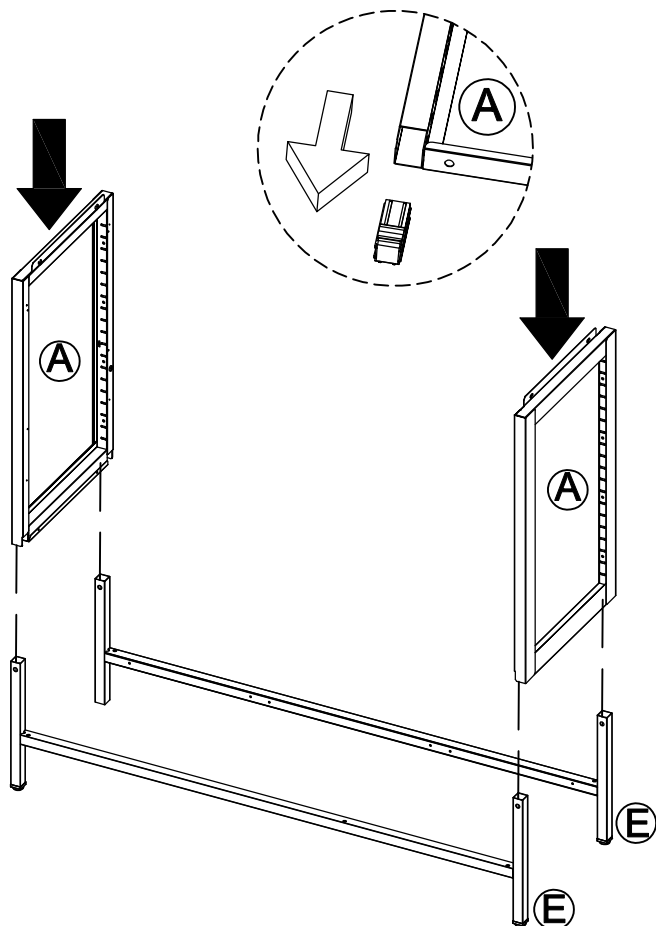
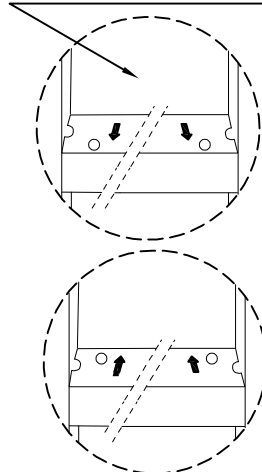
Hardware	Ctn No.	1
----------	---------	---

No.	Size	Qty
A	698x400x24mm	2
B	669.5x449x23mm	1
B1	669.5x460x23mm	1
B2	669.5x460x23mm	1
C1	651x448x20mm	1
C2	651x448x20mm	2
D	1401x402x38mm	1
E	280x1396.5x20mm	2
F	1388x351x25mm	1
G	1388x350x20mm	1



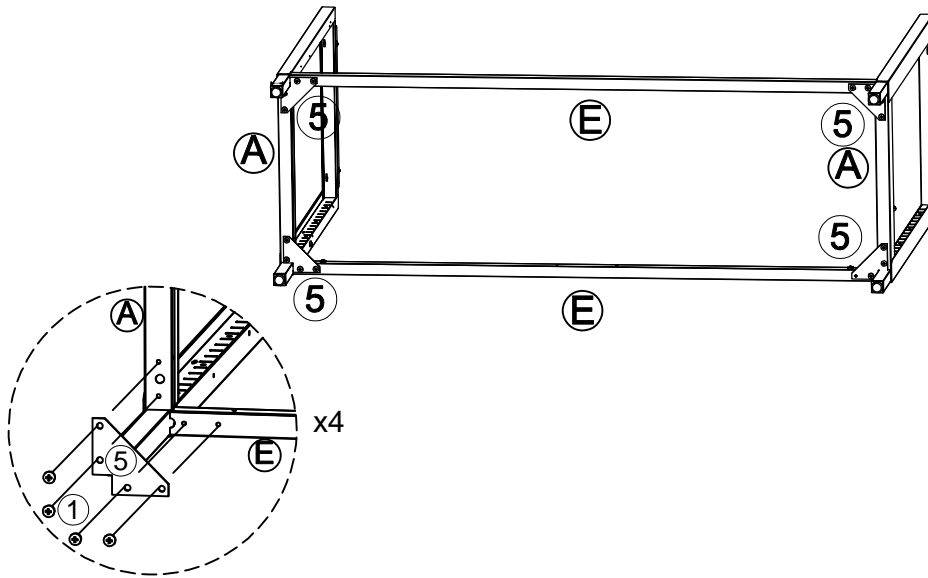
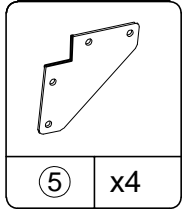
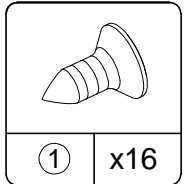
(1) - Attach (A) to (E) as below shown.

Make sure the holes are nearest to outside otherwise will affect door assembling.

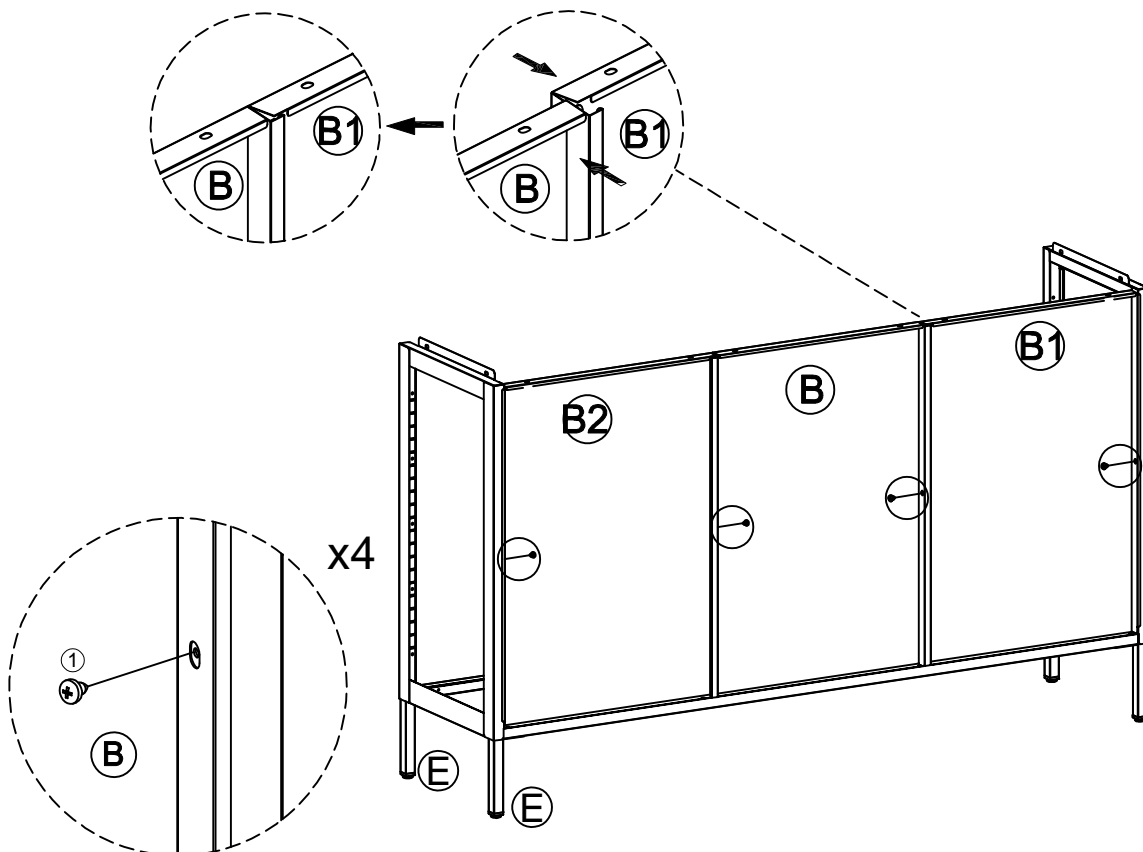
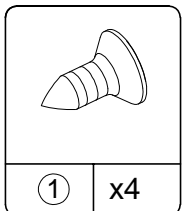


The plastic foot cover face down

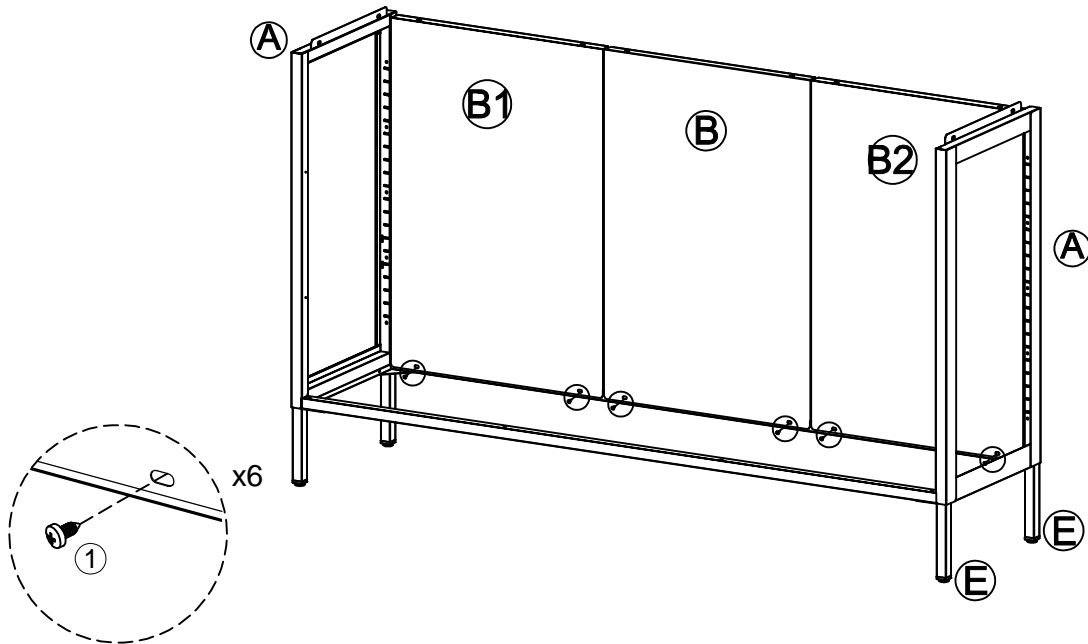
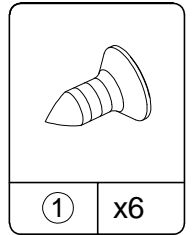
(2) - Attach ⑤ to (A)&(E) as below shown.



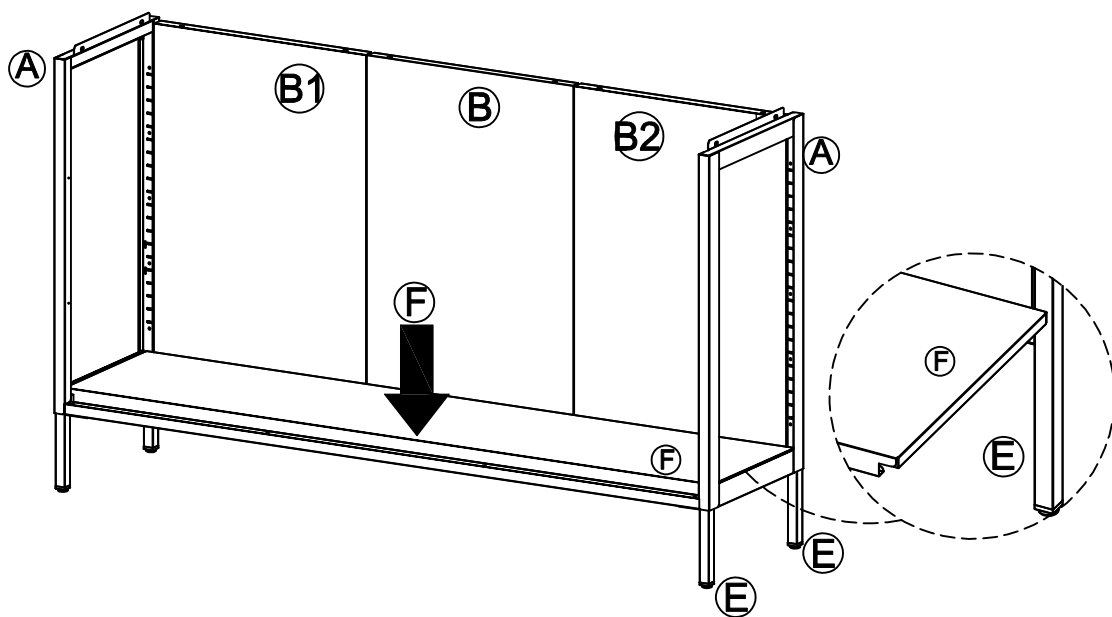
(3) - Attach (B) & (B1) & (B2) to (A) as below shown.



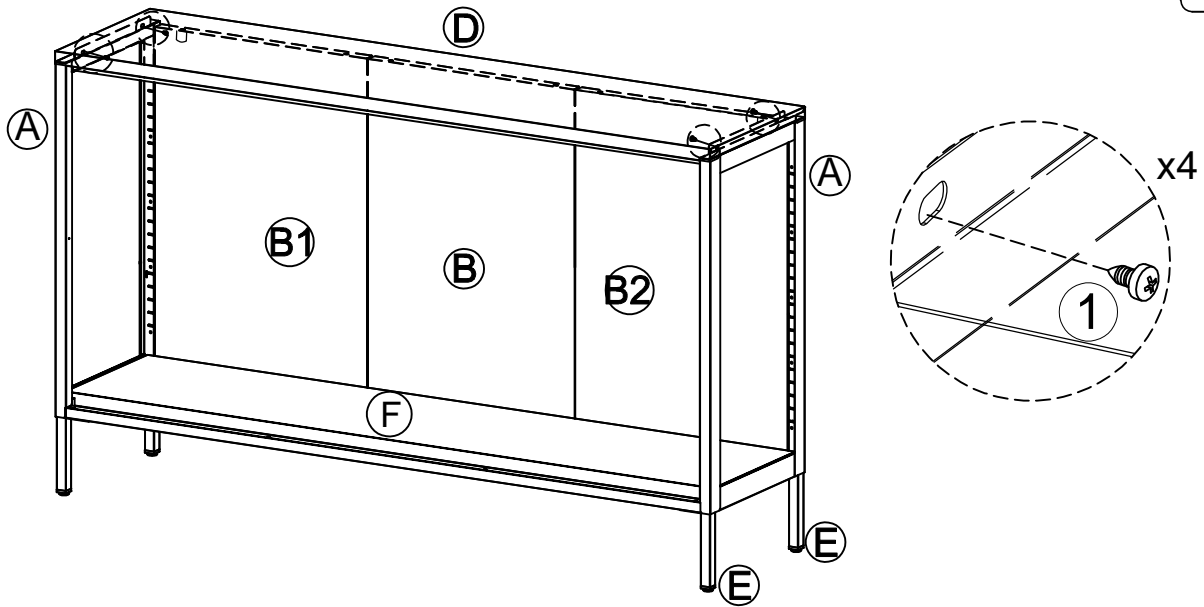
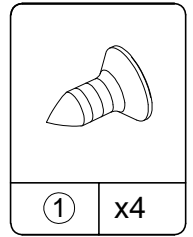
(4) - Attach (B) & (B1) & (B2) to (E) as below shown.



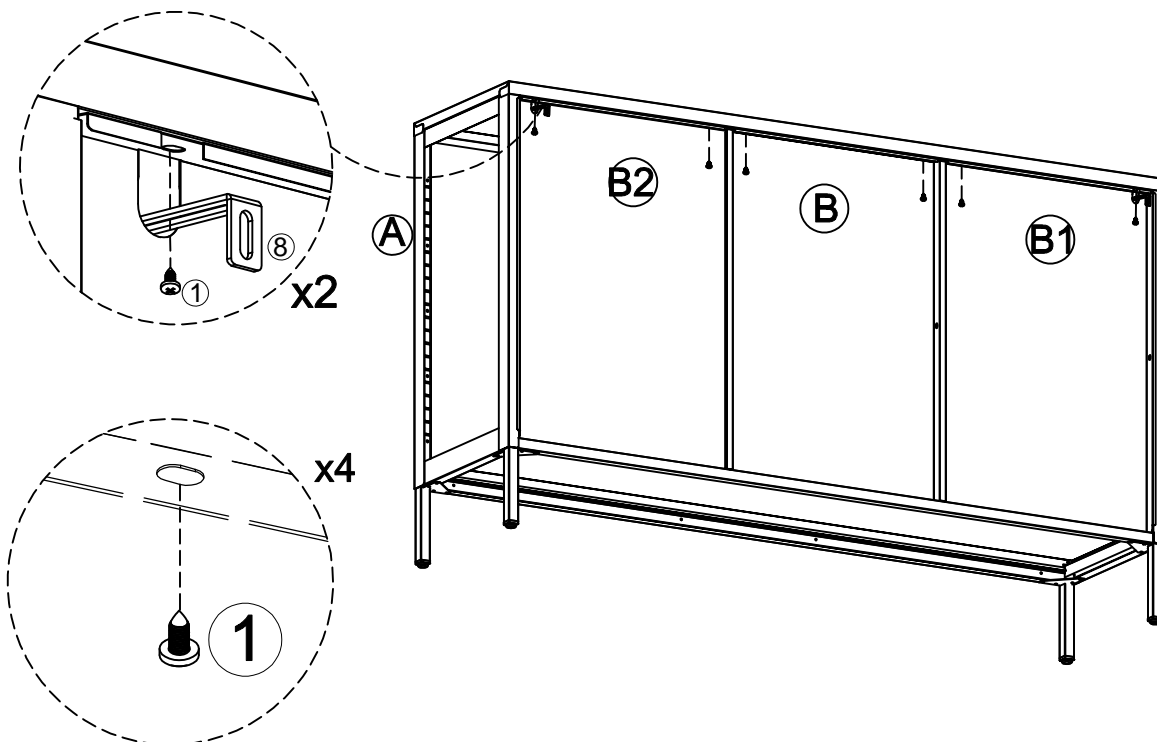
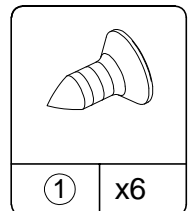
(5) - Attach (F) to (A) & (B) & (E) as below shown.



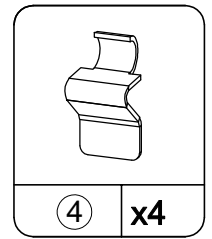
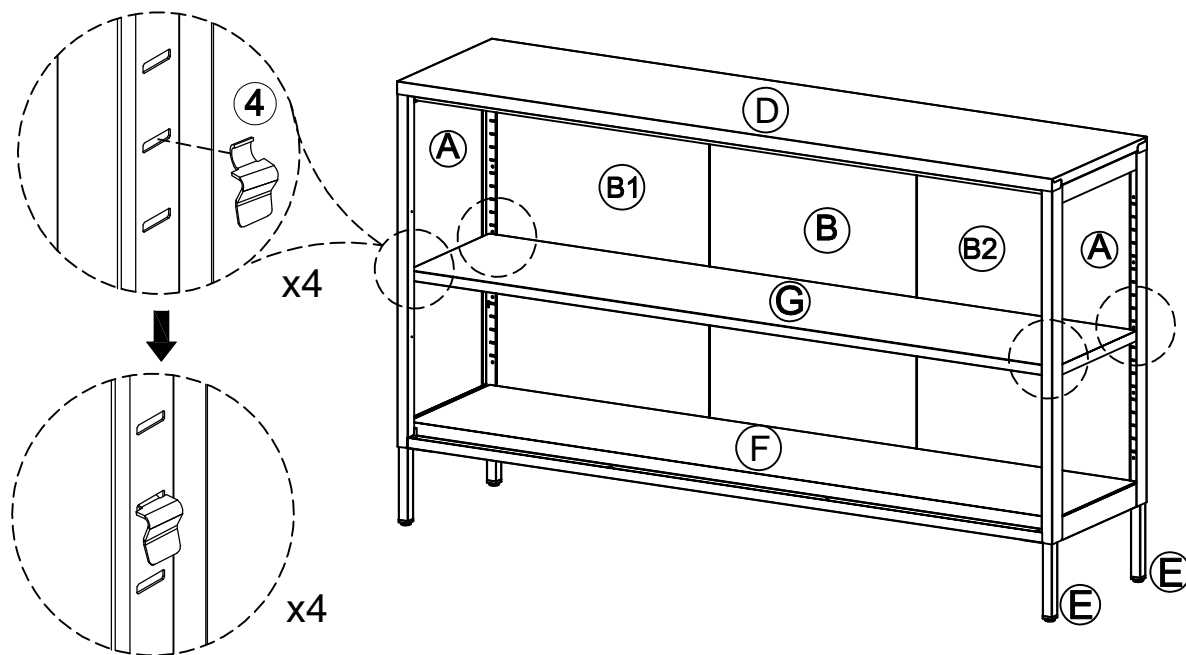
(6) - Attach (D) to (A) as below shown.



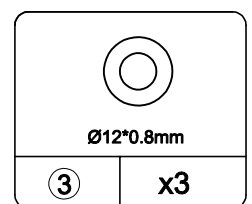
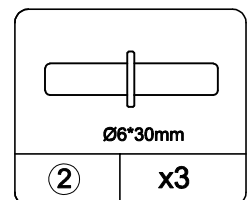
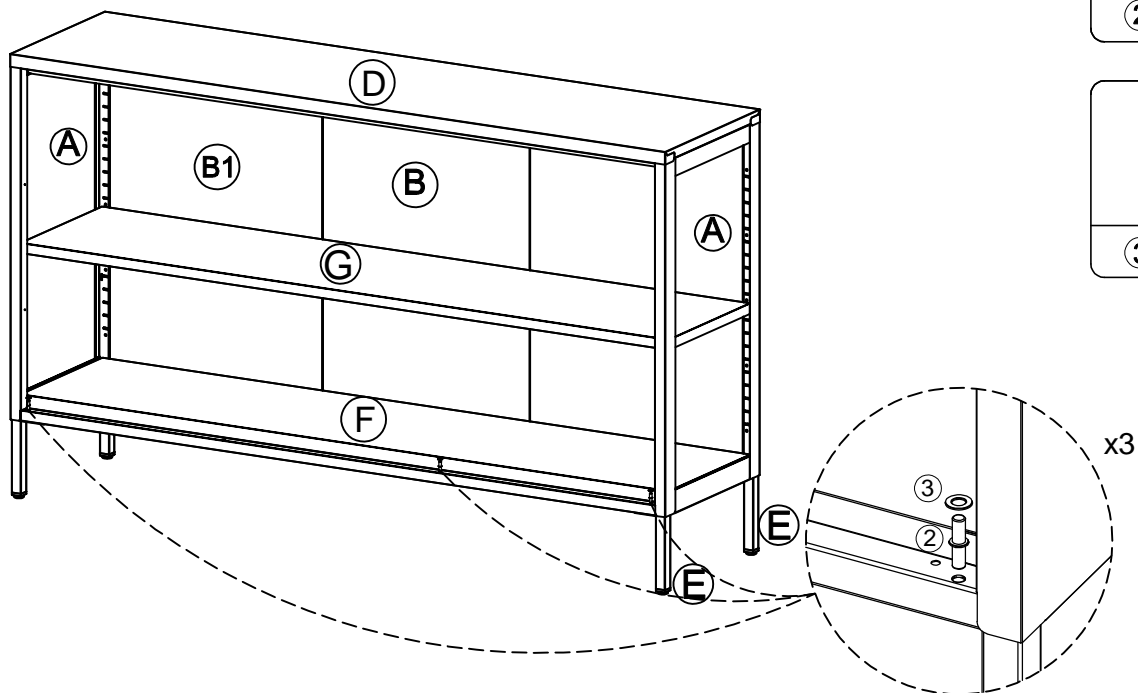
(7) - Attach (D) to (B) as below shown.



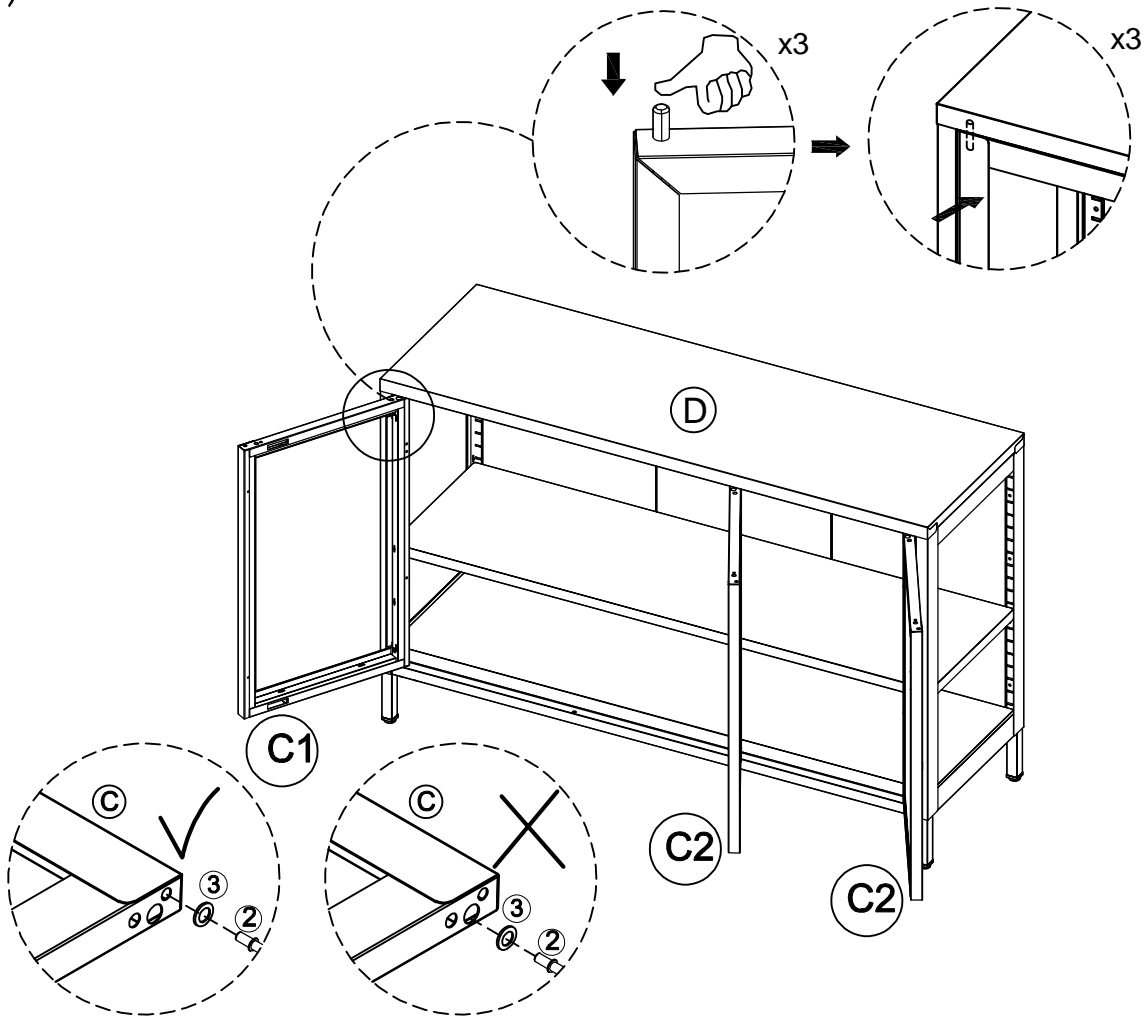
(8) - Attach (G) to pre-assembled unit as below shown.



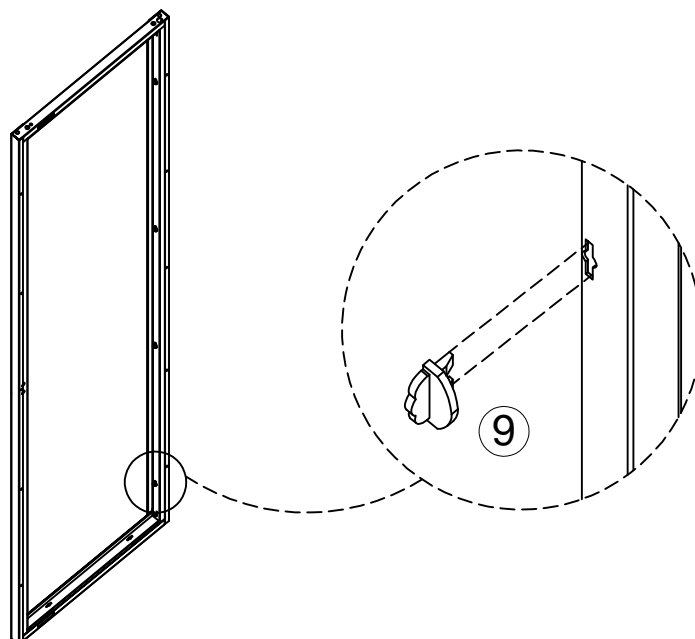
(9) - Attach (2) & (3) to pre-assembled unit as below shown.



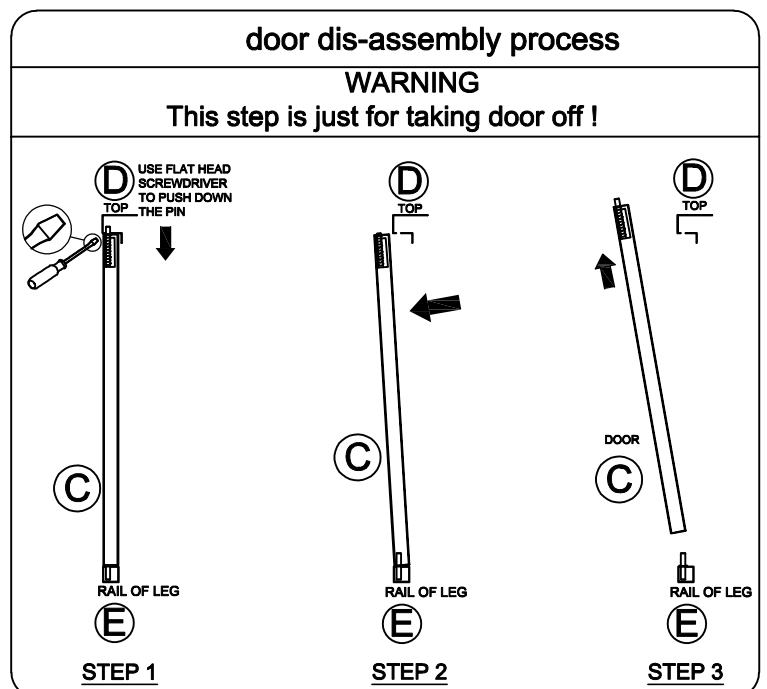
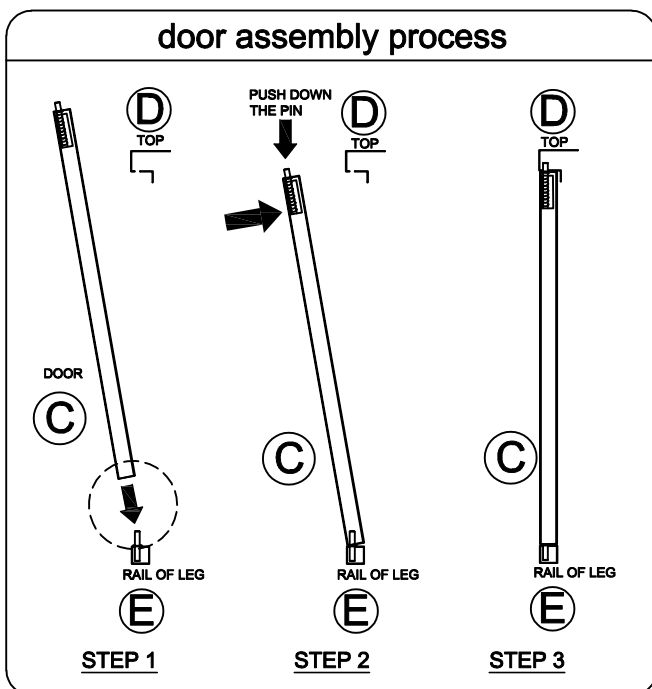
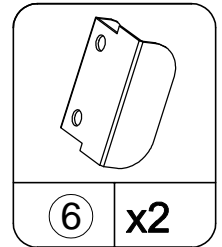
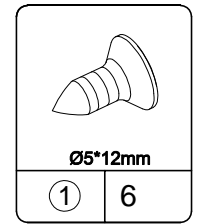
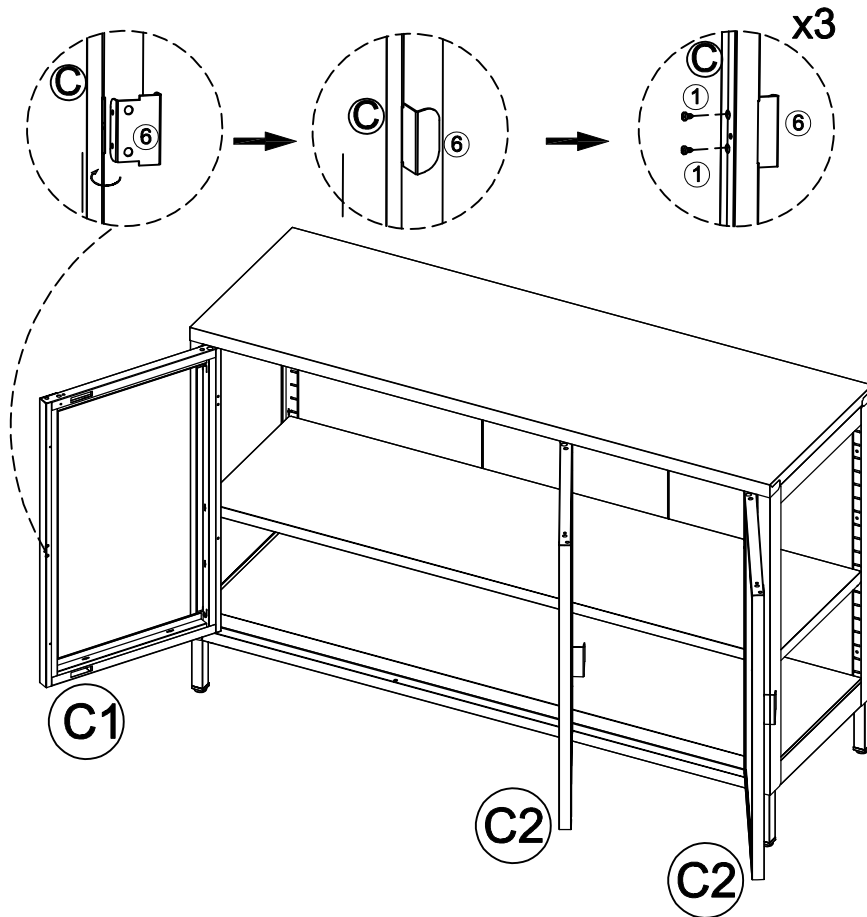
(10) - Attach (6) to (C) as below shown.



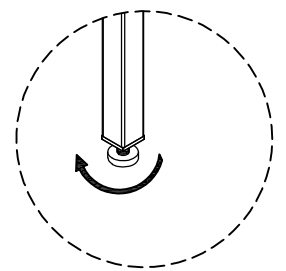
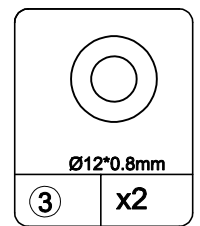
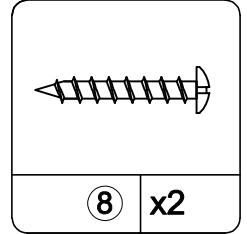
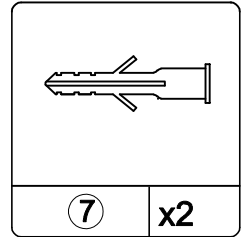
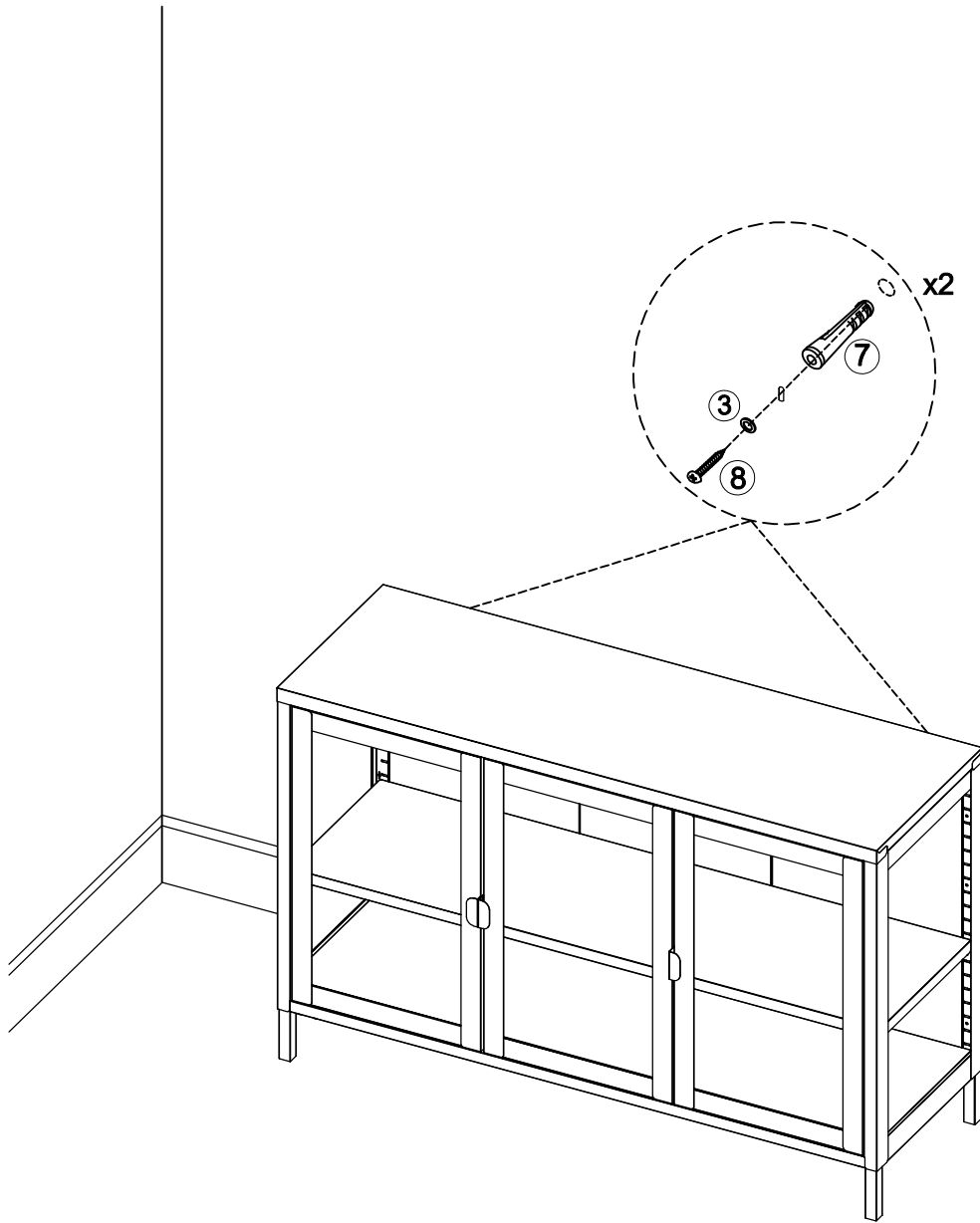
spare parts of glass buckle



(11)- Attach (C) to pre-assembled unit as below shown.



(12)



Gaps may appear between the top of the doors and the frame if the item is not on level ground; use the plastic foot cover to level.