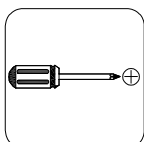
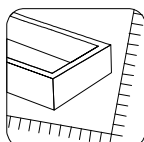
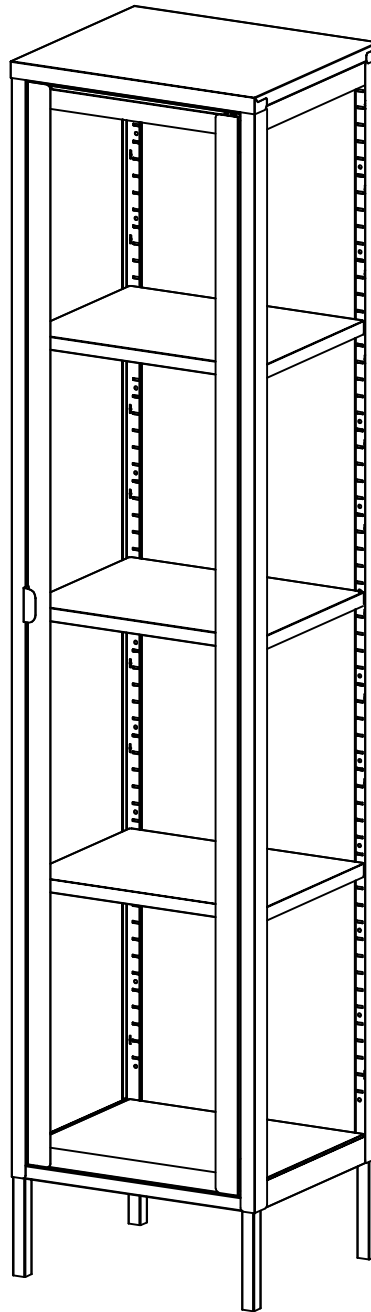
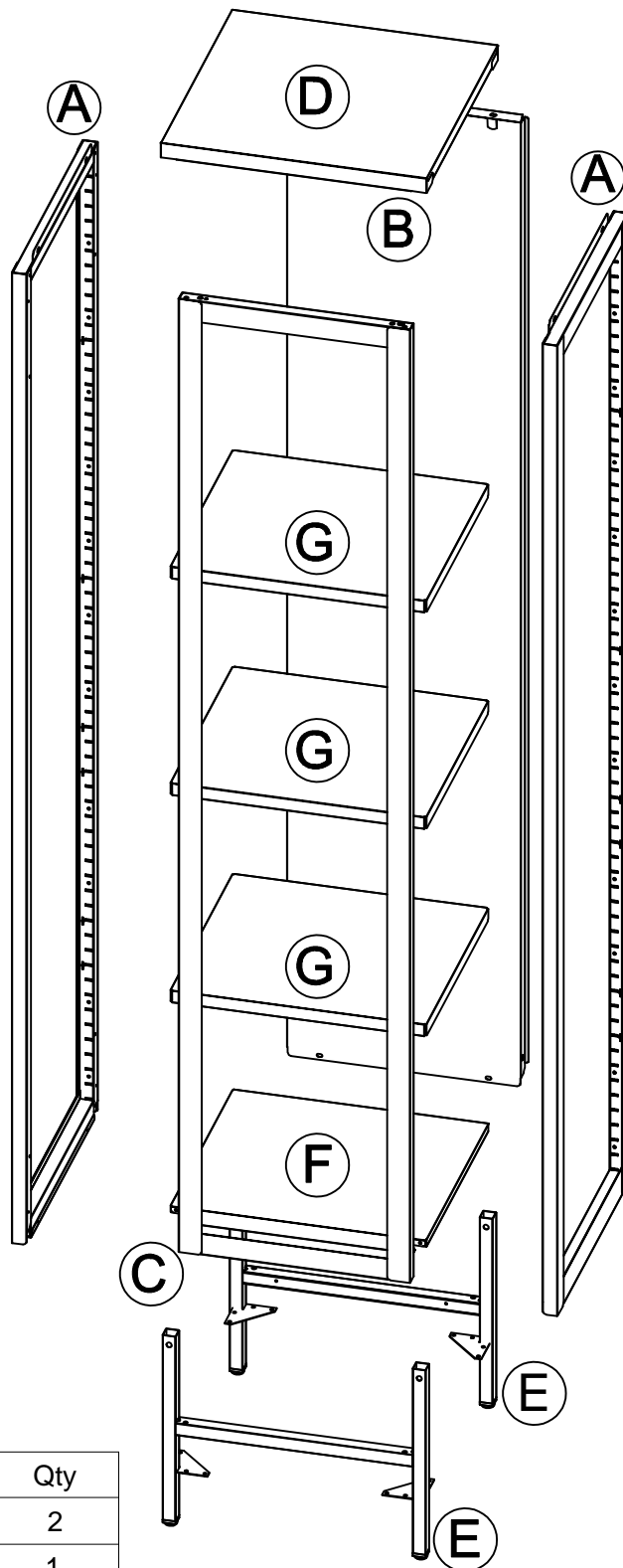


3003000

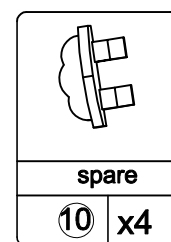
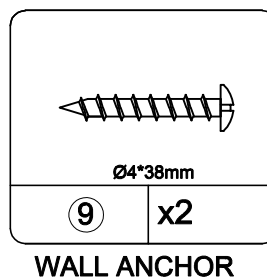
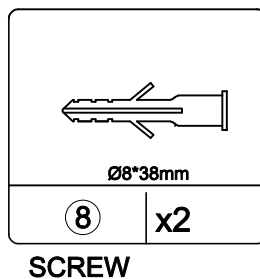
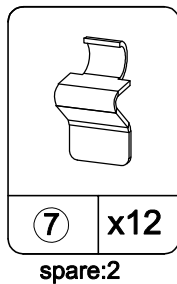
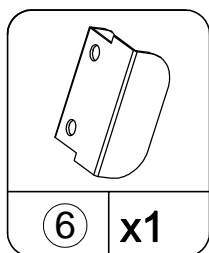
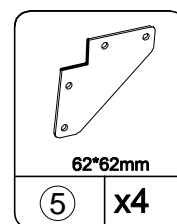
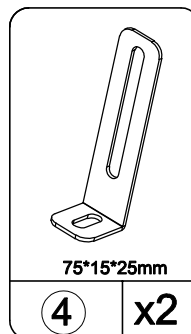
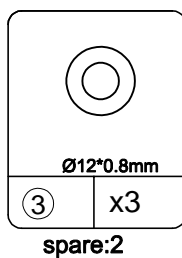
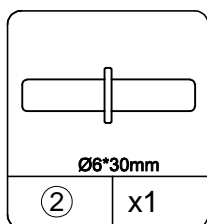
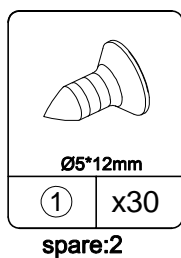
**HOUSE
NORDIC**

Brisbane Slim Display Cabinet,
1 glass door, black metal



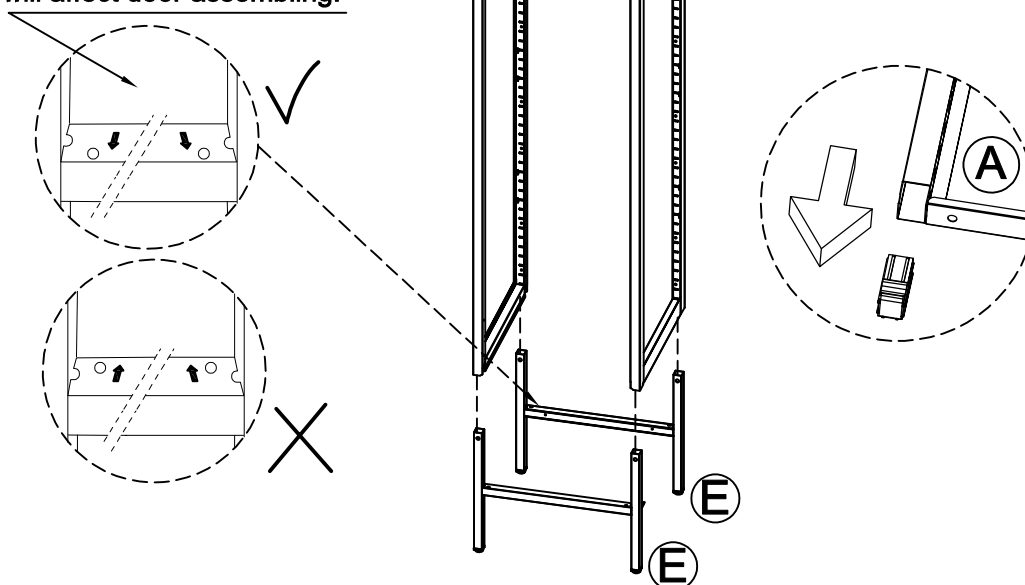


No.	Size	Qty
A	1648x350x24mm	2
B	1620x351x23mm	1
C	1601x349x20mm	1
D	352x401.5x38mm	1
E	320x396.5x20mm	2
F	386x301x25mm	1
G	386x300x20mm	3



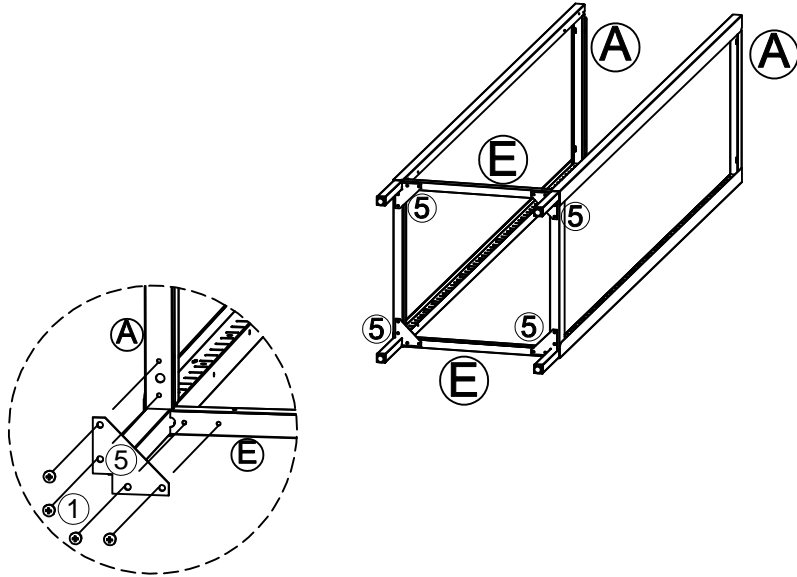
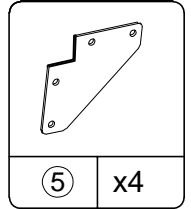
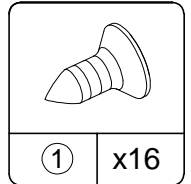
(1) - Attach (A) to (E) as below shown.

Make sure the holes are nearest to outside otherwise will affect door assembling.

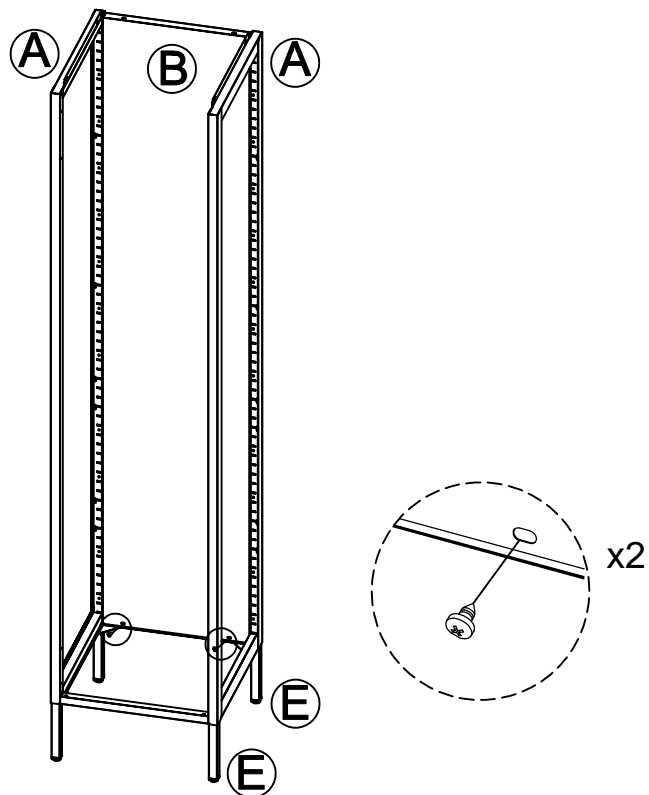
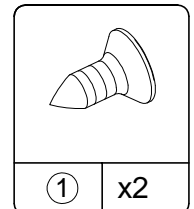


The plastic foot cover face down

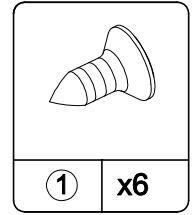
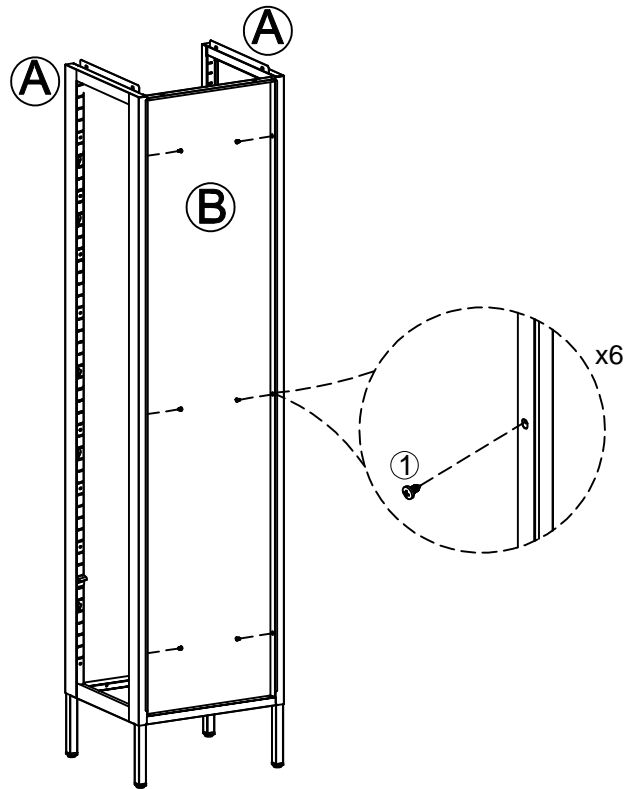
(2) - Attach ⑤ to (A)&(E) as below shown.



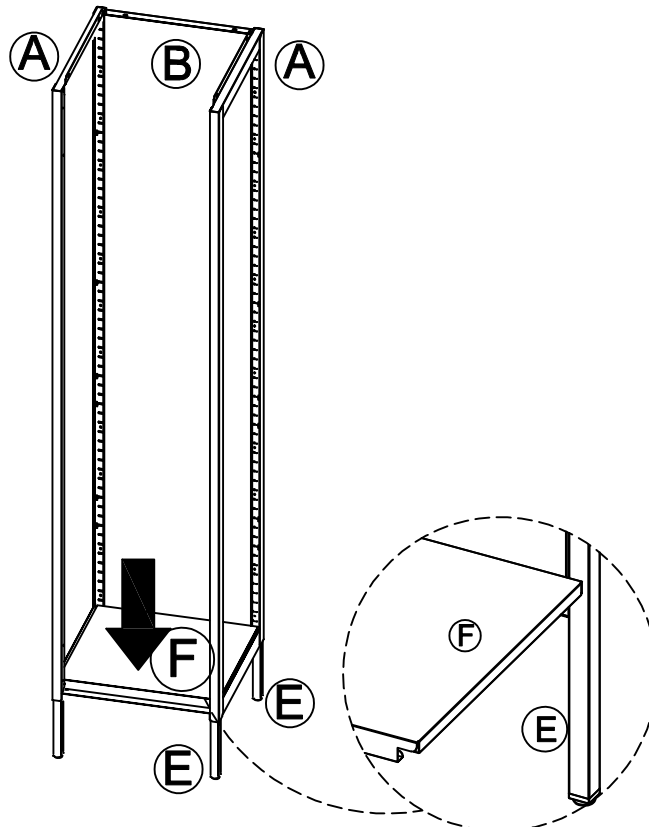
(3) - Attach (B) to (E) as below shown.



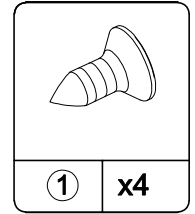
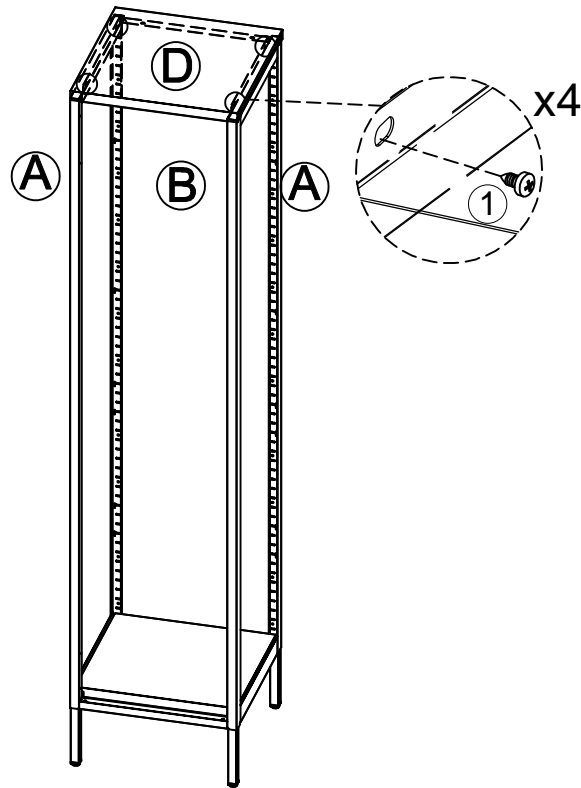
(4) - Attach (B) to (A) as below shown.



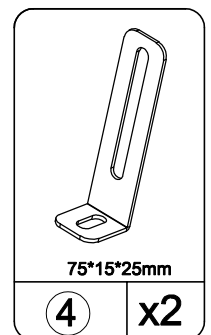
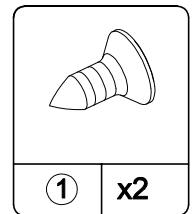
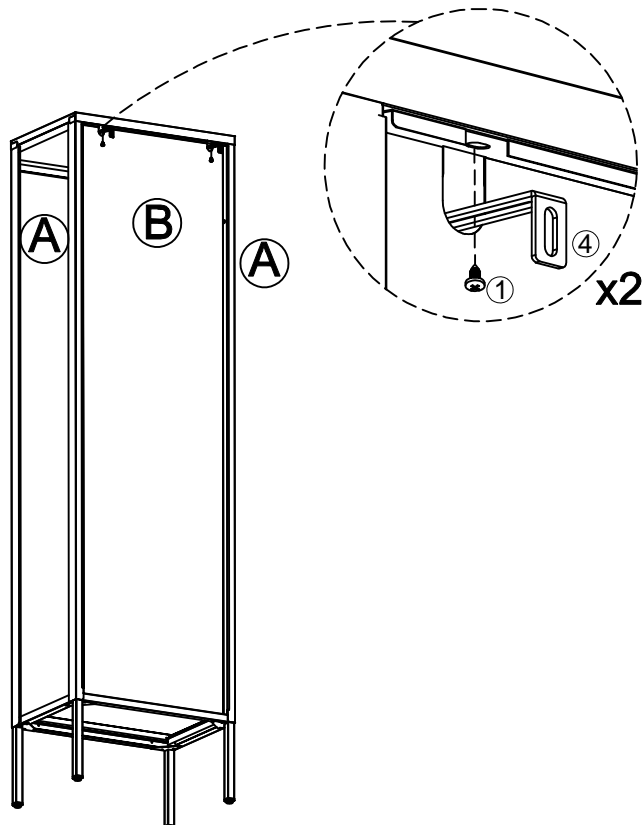
(5) - Attach (F) to (A) & (B) & (E) as below shown.



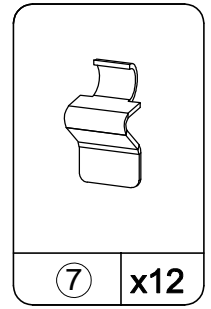
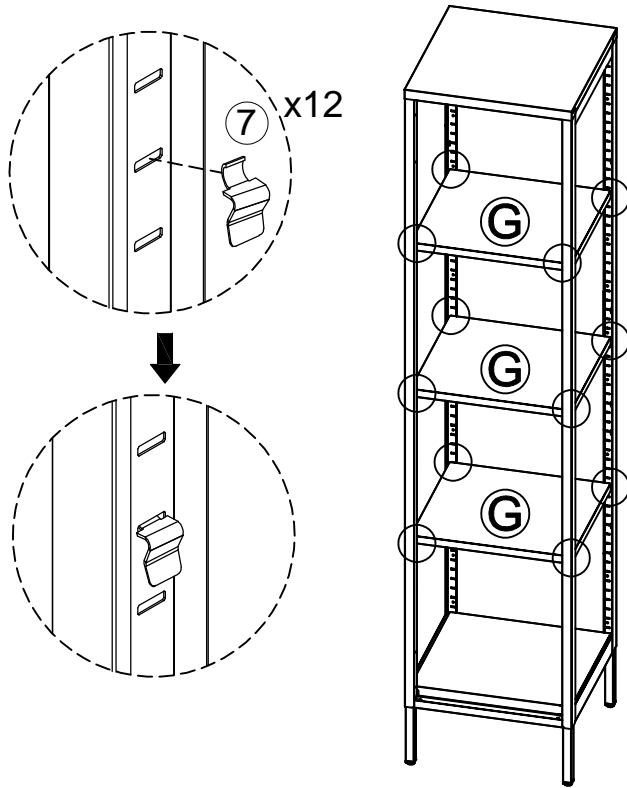
(6) - Attach (D) to (A) as below shown.



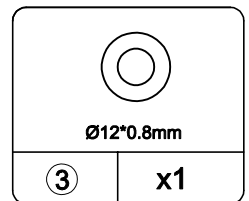
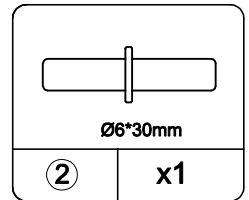
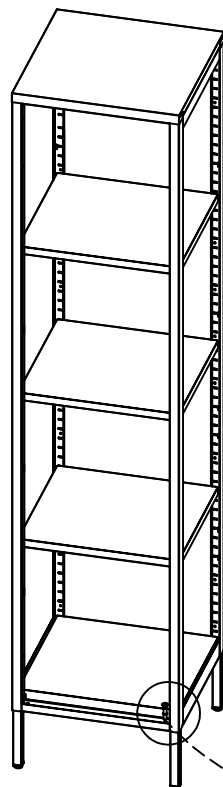
(7) - Attach (D) to (B) as below shown.



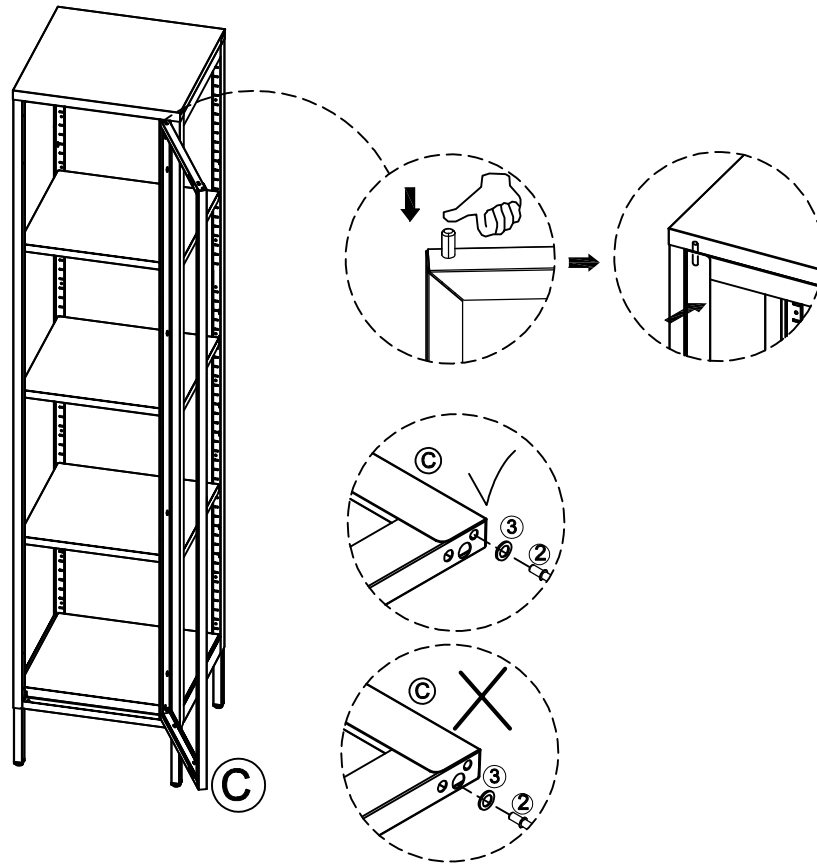
(8) - Attach (G) to pre-assembled unit as below shown.



(9) - Attach (2) & (3) to pre-assembled unit as below shown.



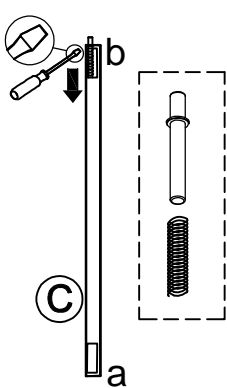
(10) - Attach (C) to pre-assembled unit as below shown.



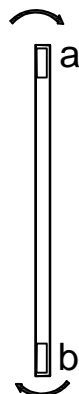
door pillar exchange process

WARNING

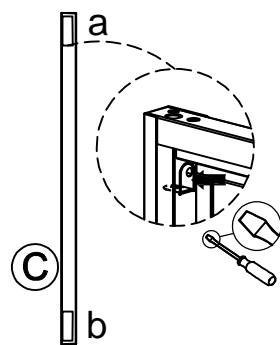
This step is just to switch the left door to the right door!



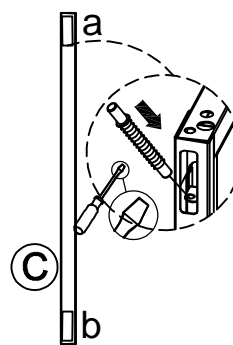
STEP 1



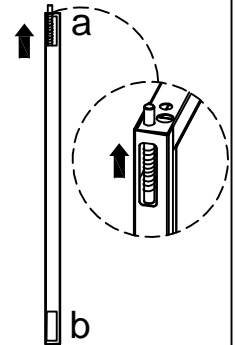
STEP 2



STEP 3

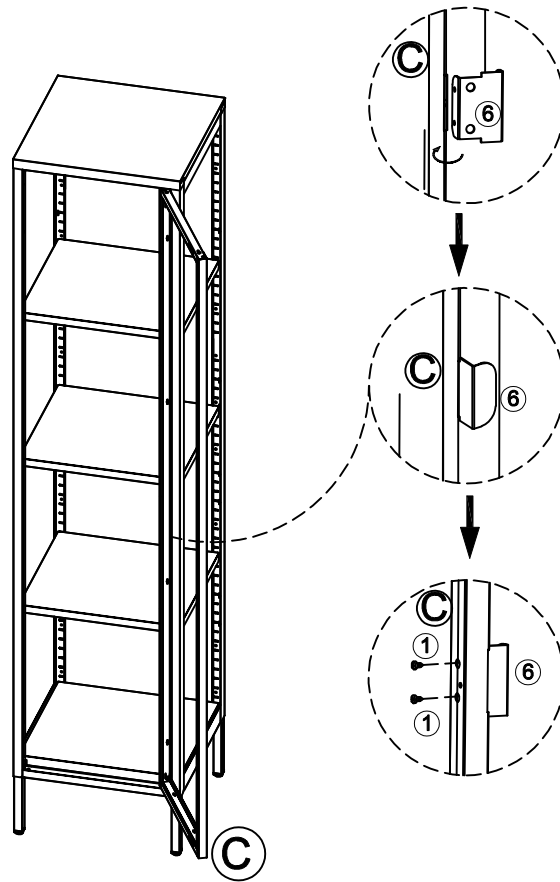
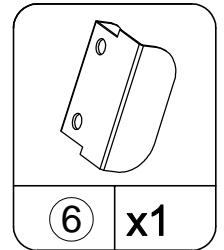
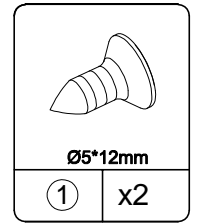


STEP 4

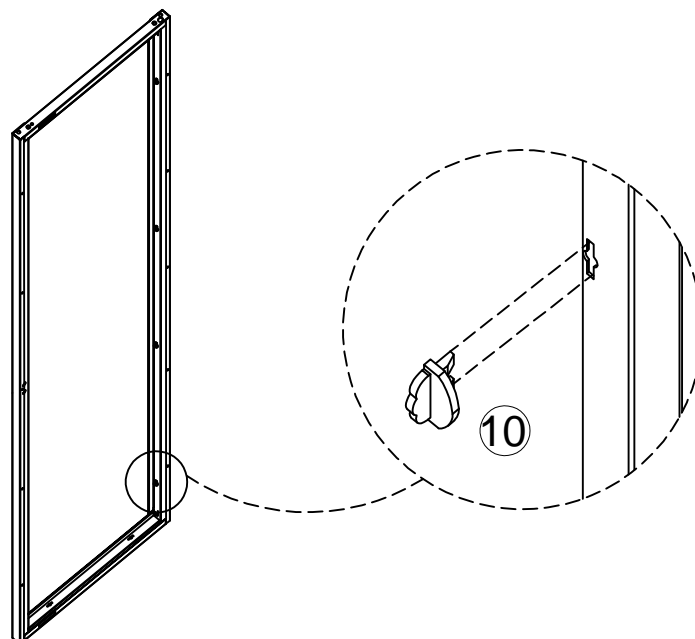


STEP 5

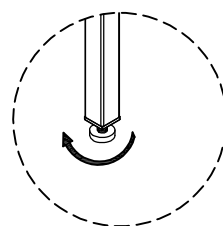
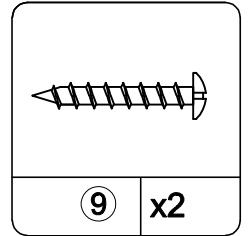
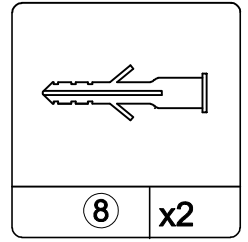
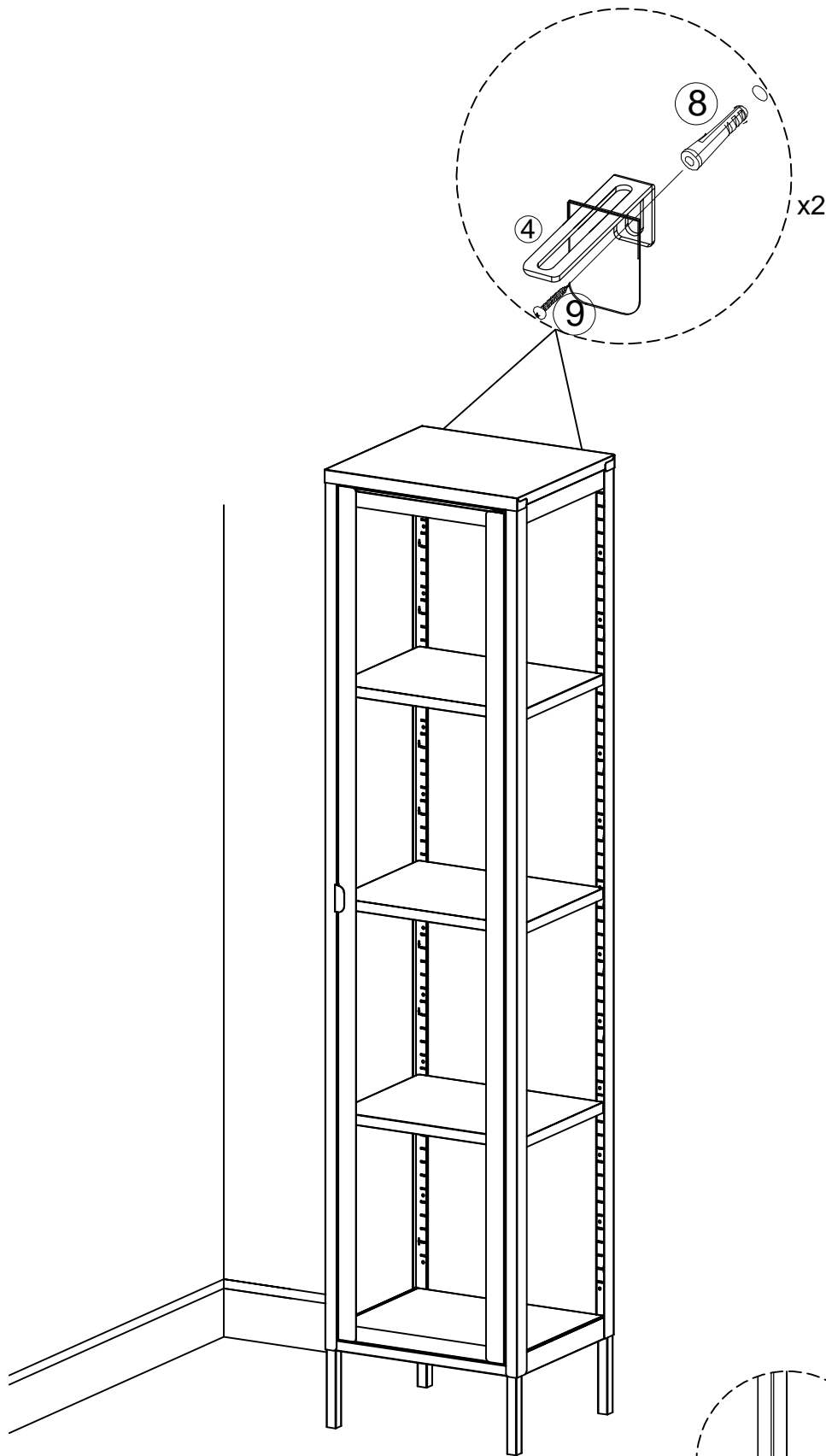
(11) - Attach (6) to (C) as below shown.



spare parts of glass buckle



(11)



Gaps may appear between the top of the doors and the frame if the item is not on level ground; use the plastic foot cover to level.