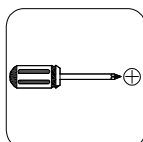
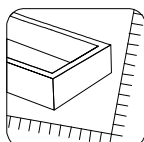
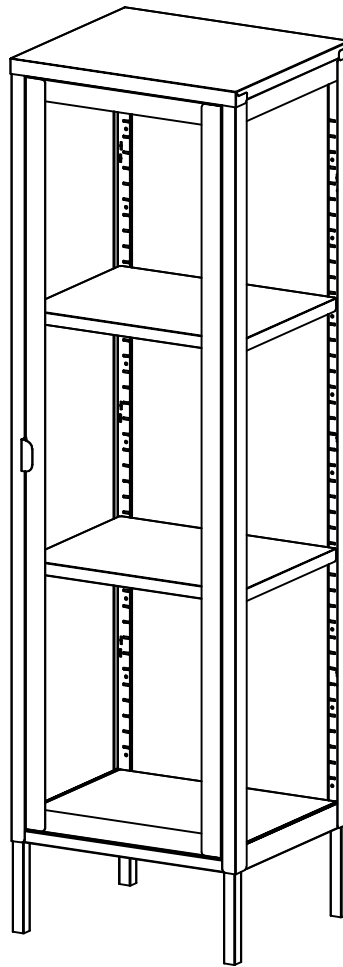
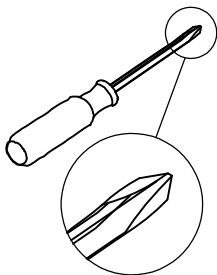
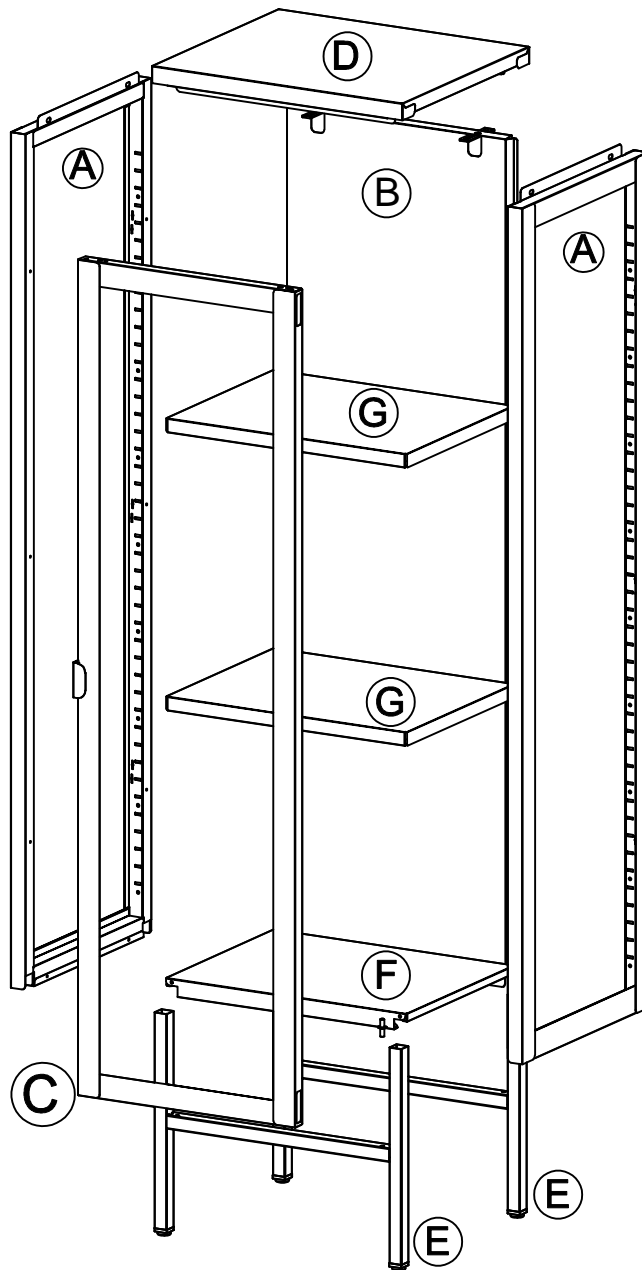


3003005

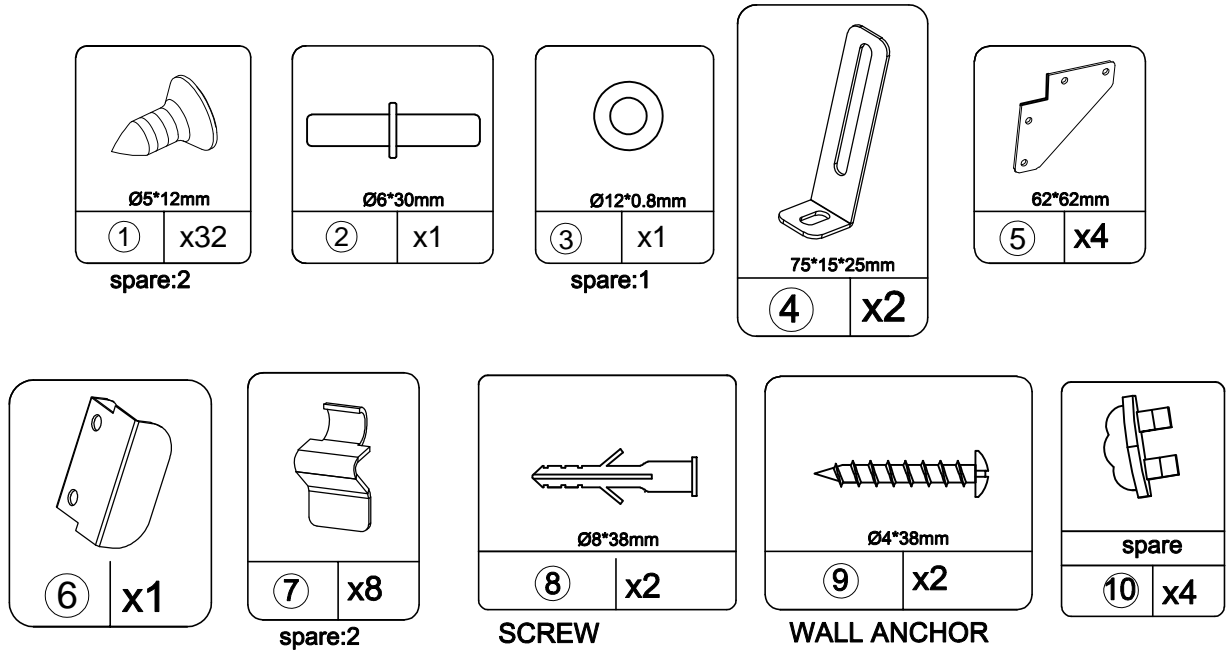
Brisbane Slim Display Cabinet,  
1 glass door, black metal



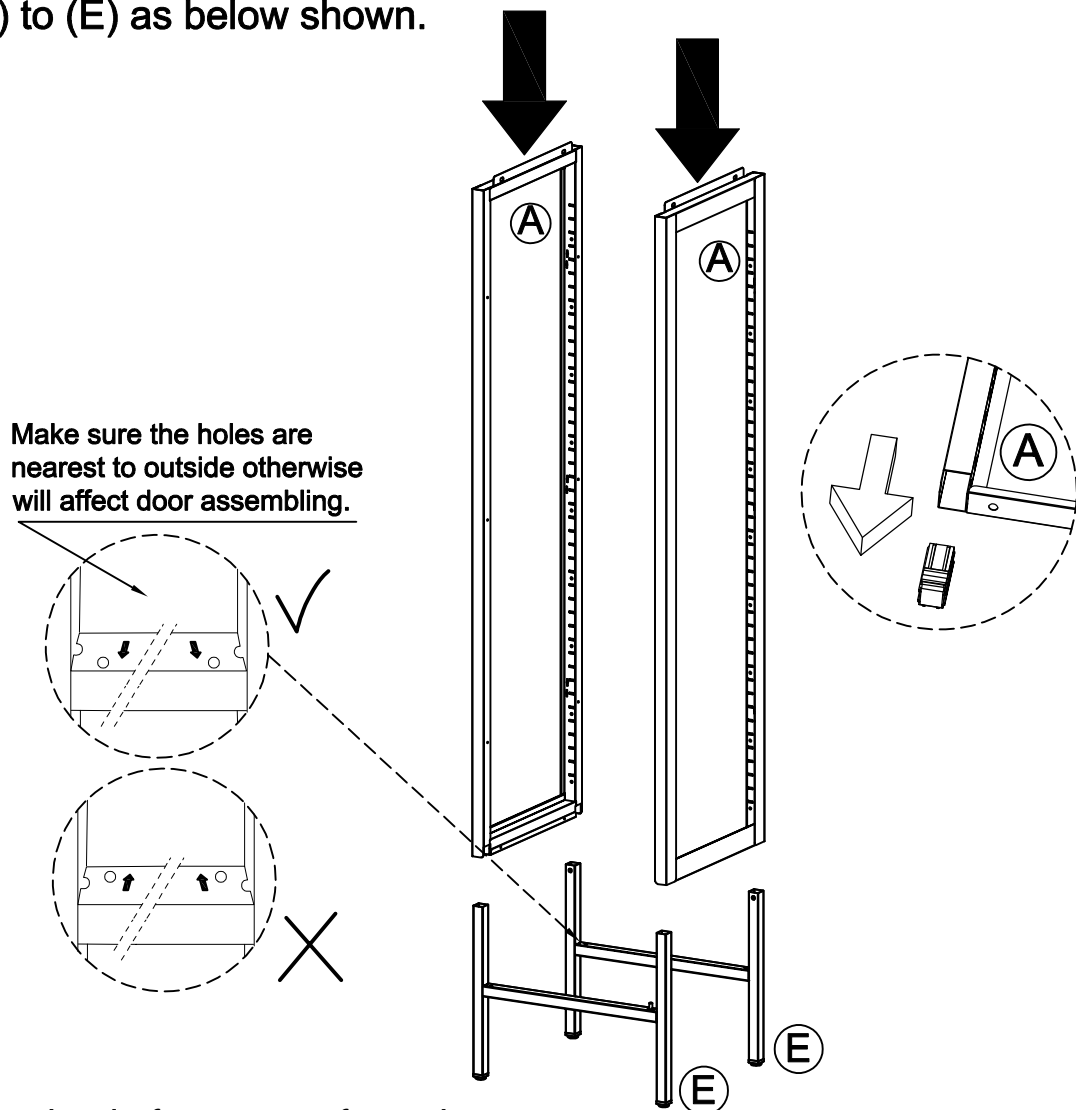


Hardware	Ctn No.	1
----------	---------	---

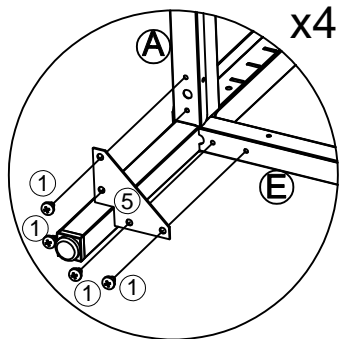
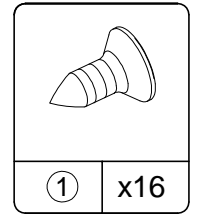
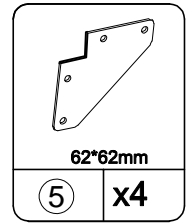
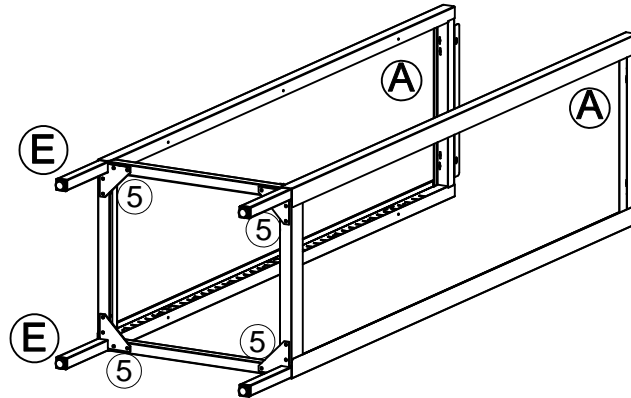
No.	Size	Qty
A	1248x350x24mm	2
B	1220x450x23mm	1
C	1201x349x20mm	1
D	401.5x352x38mm	1
E	320x397x20mm	2
F	386x301x25mm	1
G	386x300x20mm	2



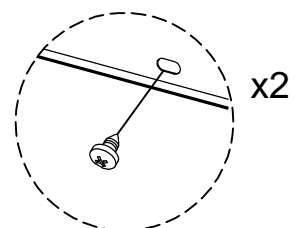
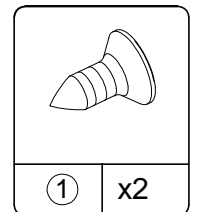
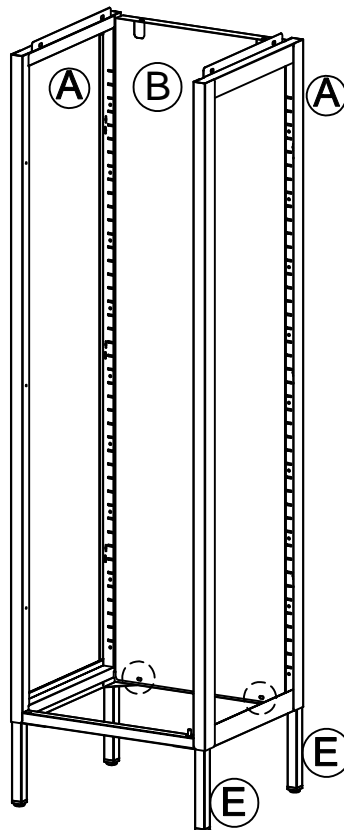
(1) - Attach (A) to (E) as below shown.



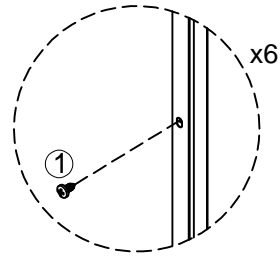
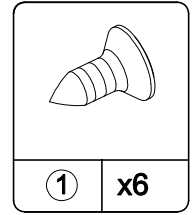
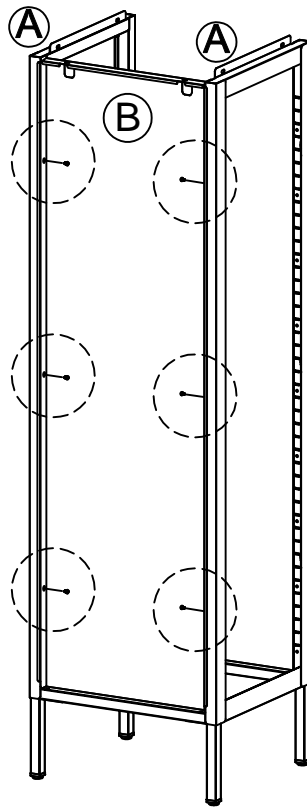
(2) - Attach ⑤ to (A)&(E) as below shown.



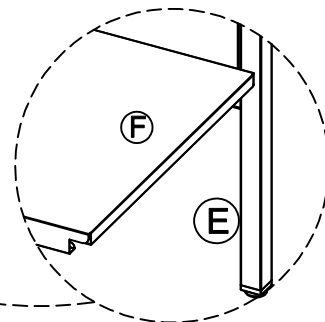
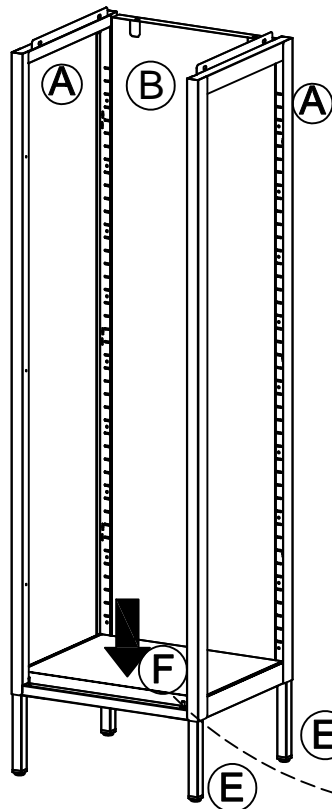
(3) - Attach (B) to (E) as below shown.



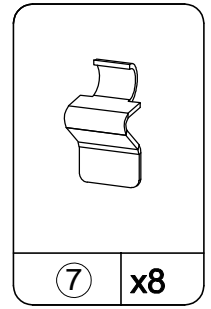
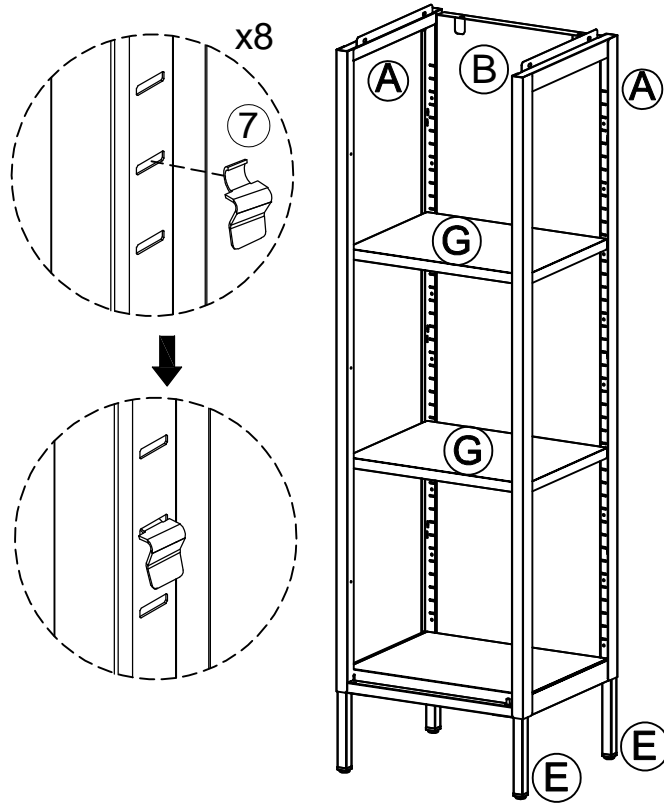
(4) - Attach (B) to (A) as below shown.



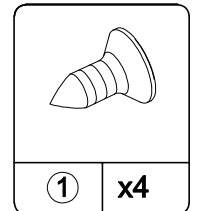
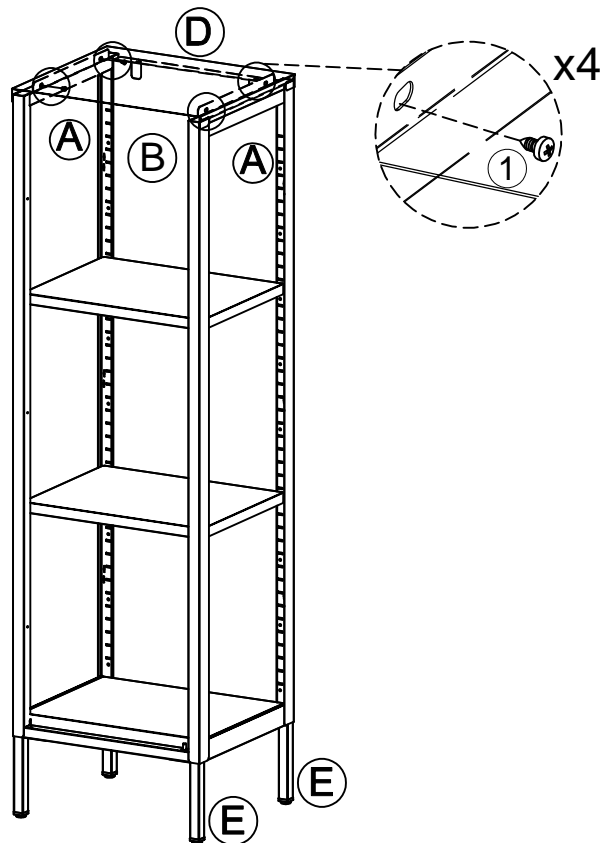
(5) - Attach (F) to (A) & (B) & (E) as below shown.



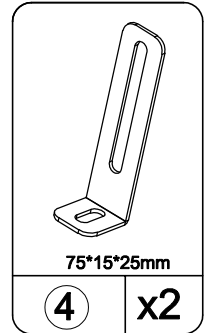
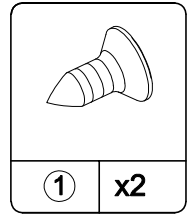
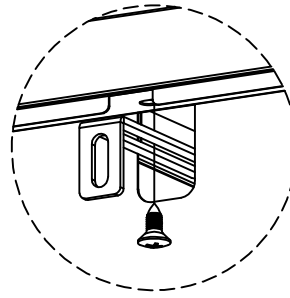
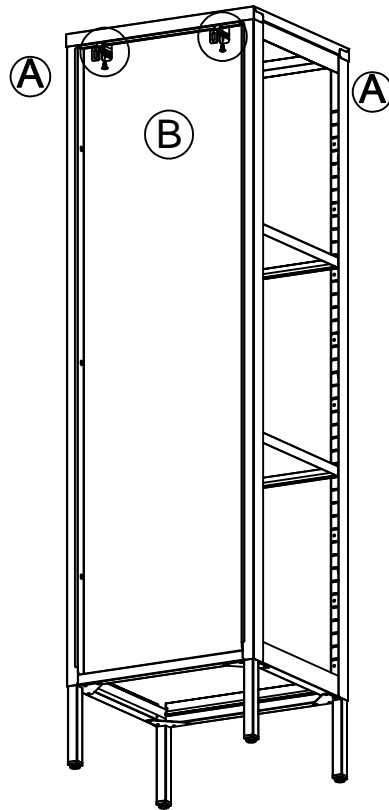
(6) - Attach (G) to pre-assembled unit as below shown.



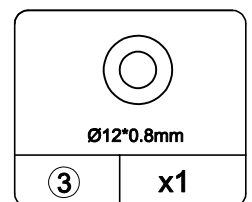
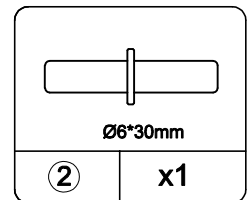
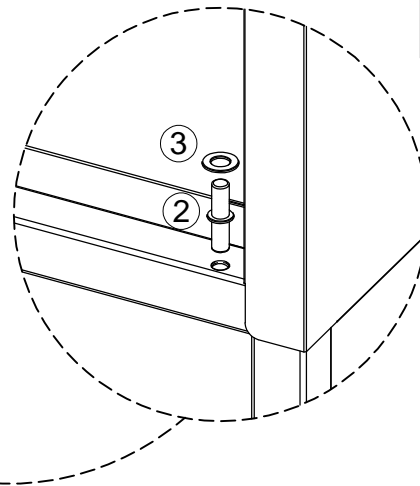
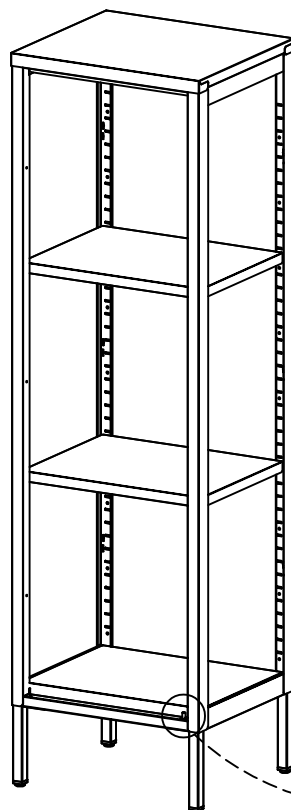
(7) - Attach (D) to (A) as below shown.



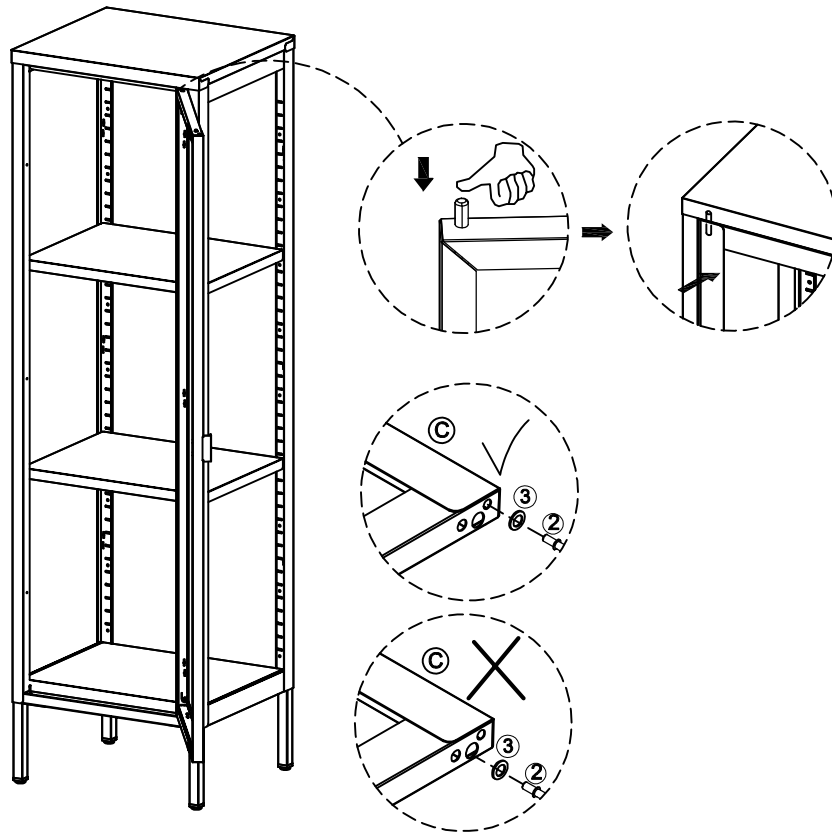
(8) - Attach (D) to (B) as below shown.



(9) - Attach (2) & (3) to pre-assembled unit as below shown.



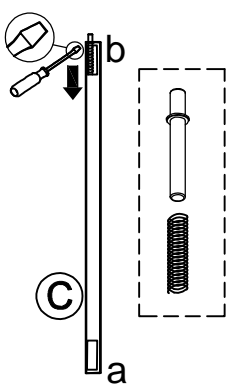
(10) - Attach (C) to pre-assembled unit as below shown.



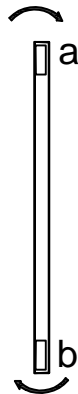
**door pillar exchange process**

**WARNING**

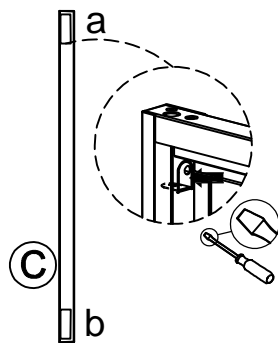
This step is just to switch the left door to the right door!



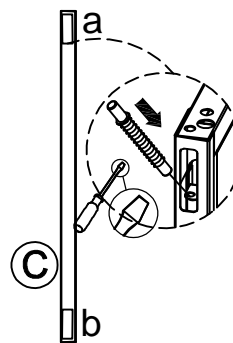
**STEP 1**



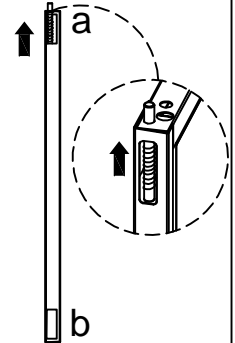
**STEP 2**



**STEP 3**



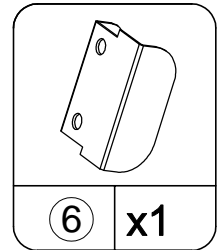
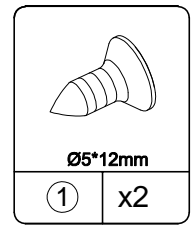
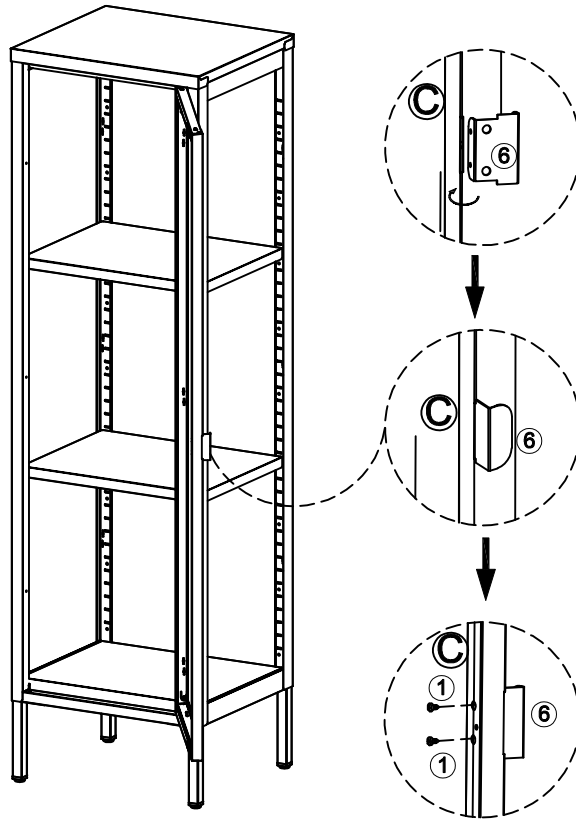
**STEP 4**



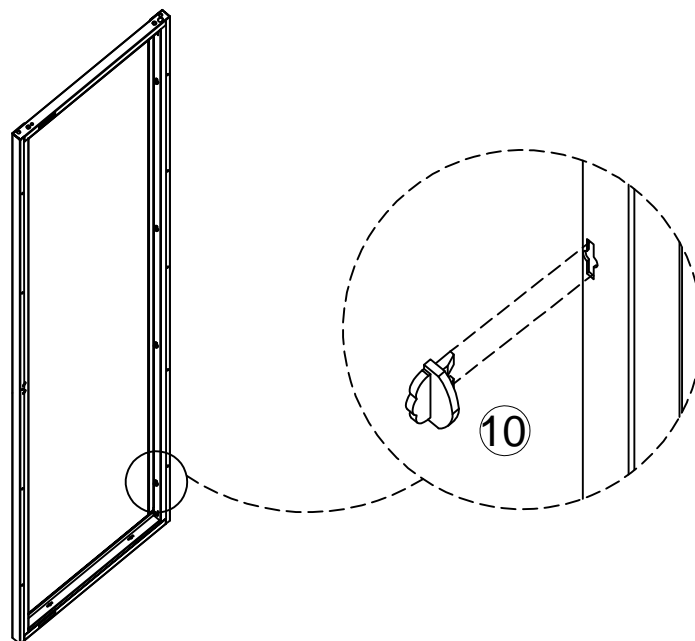
**STEP 5**



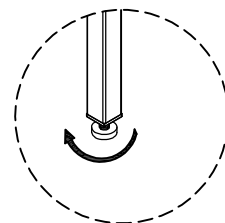
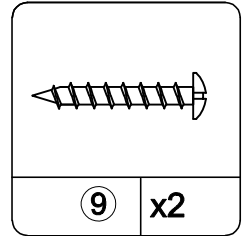
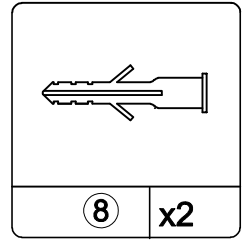
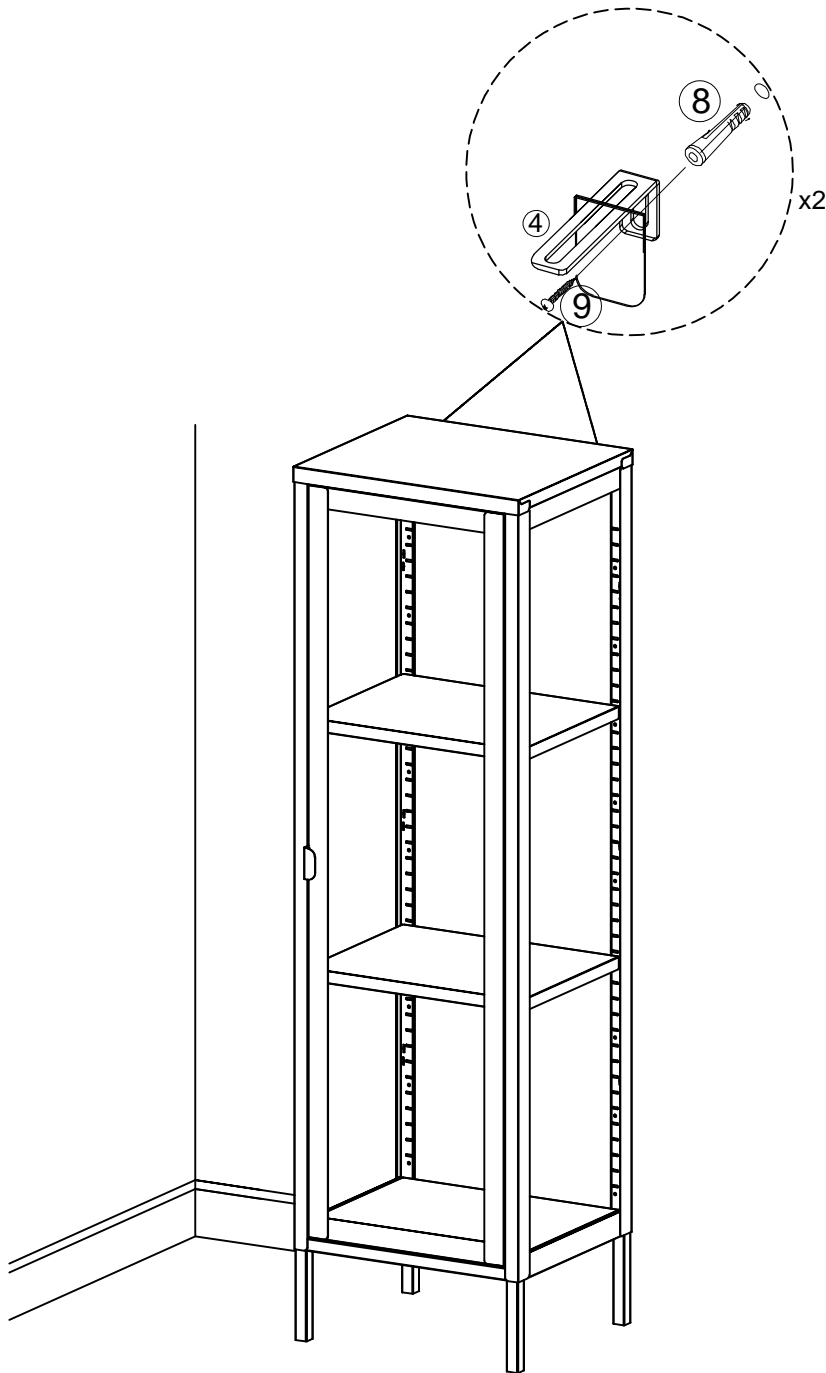
(11) - Attach (6) to (C) as below shown.



**spare parts of glass buckle**



(11)



Gaps may appear between the top of the doors and the frame if the item is not on level ground; use the plastic foot cover to level.