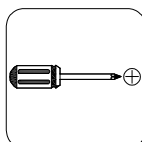
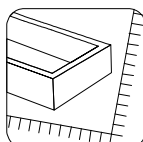
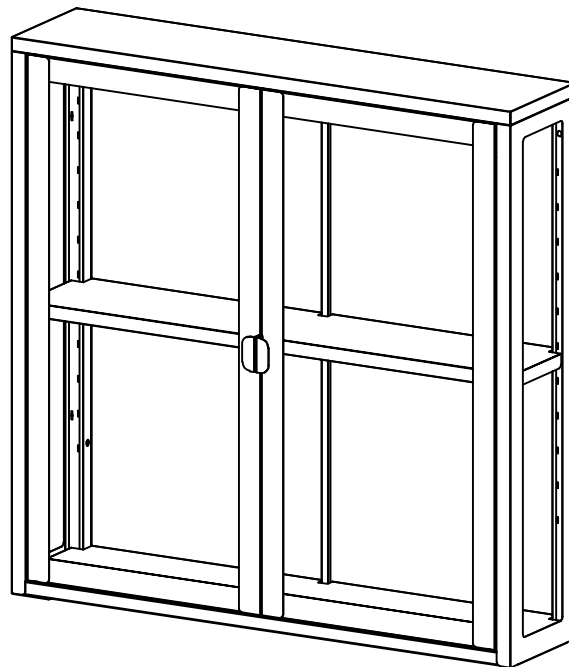
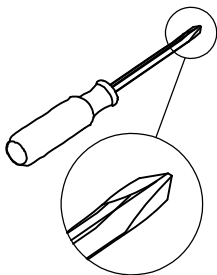
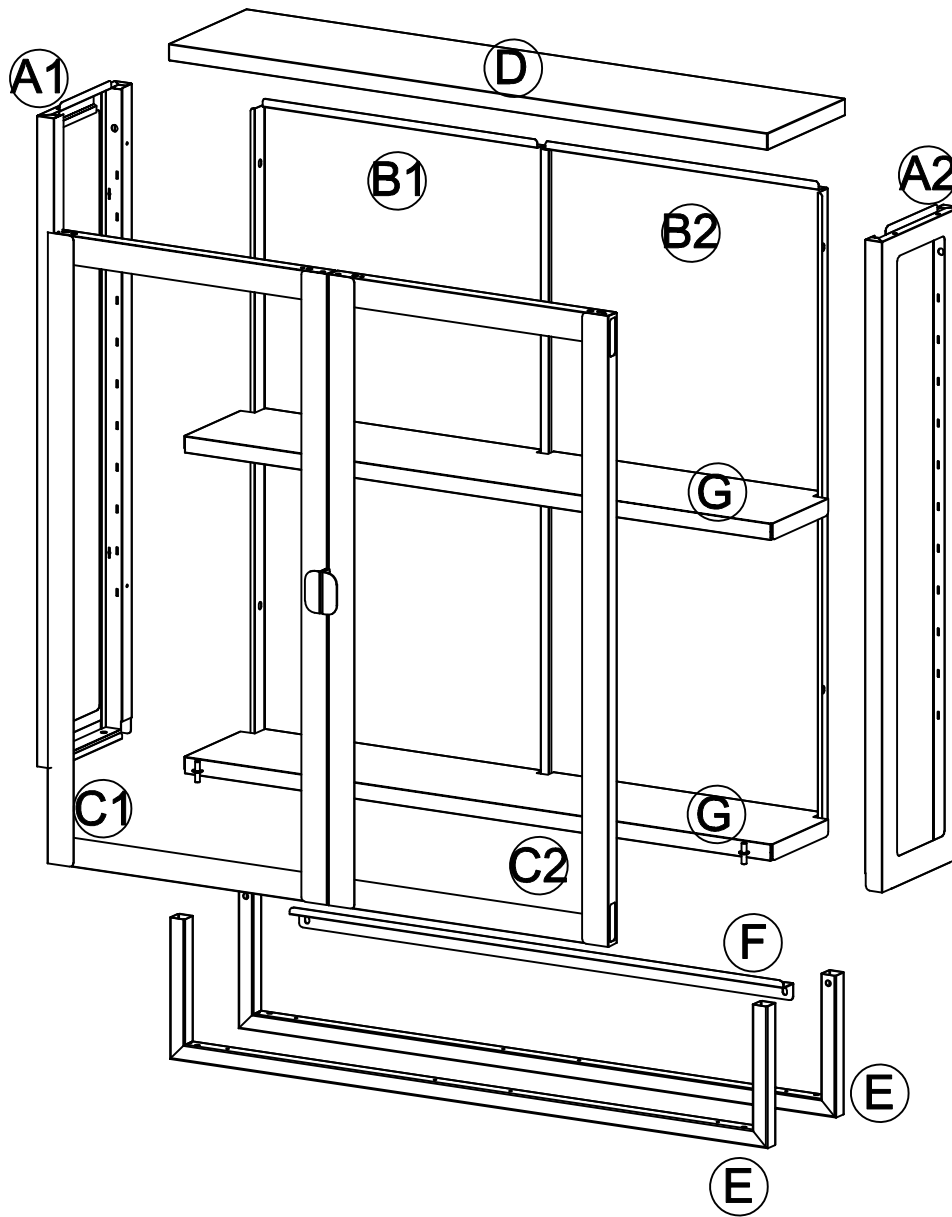


3003010

**HOUSE
NORDIC**

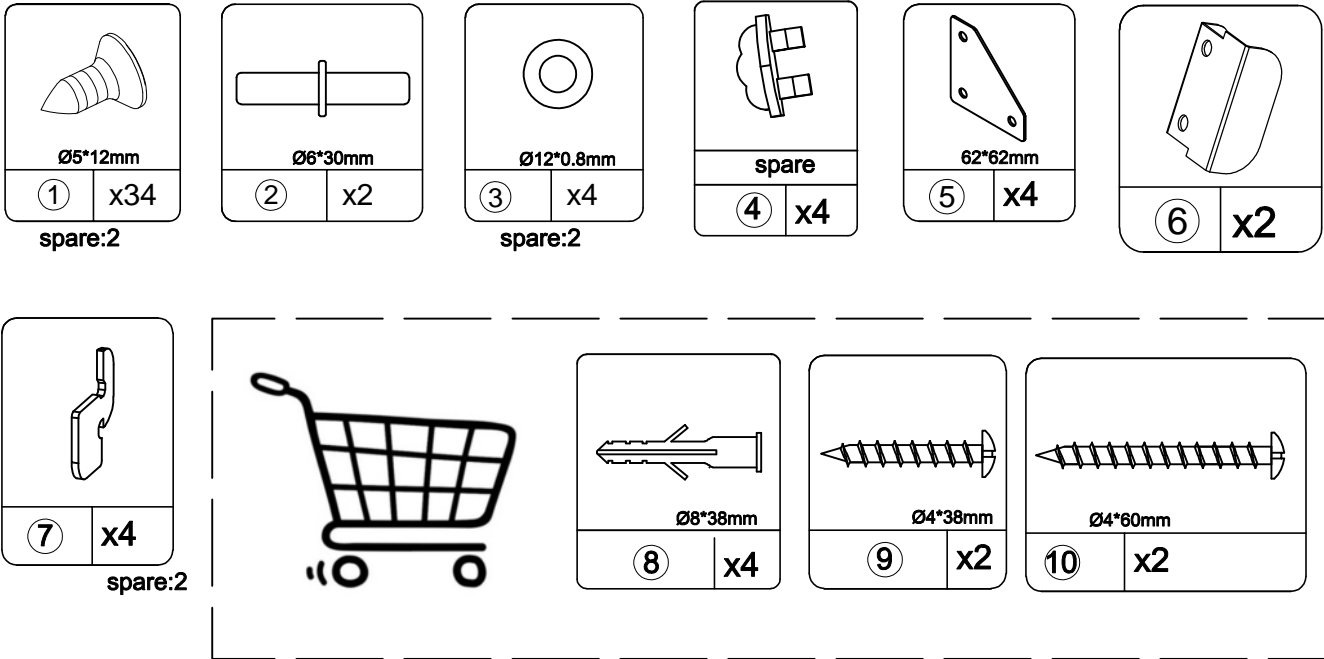
Hanging display cabinet, 2 glass doors, steel, black, 80x18x80 cm



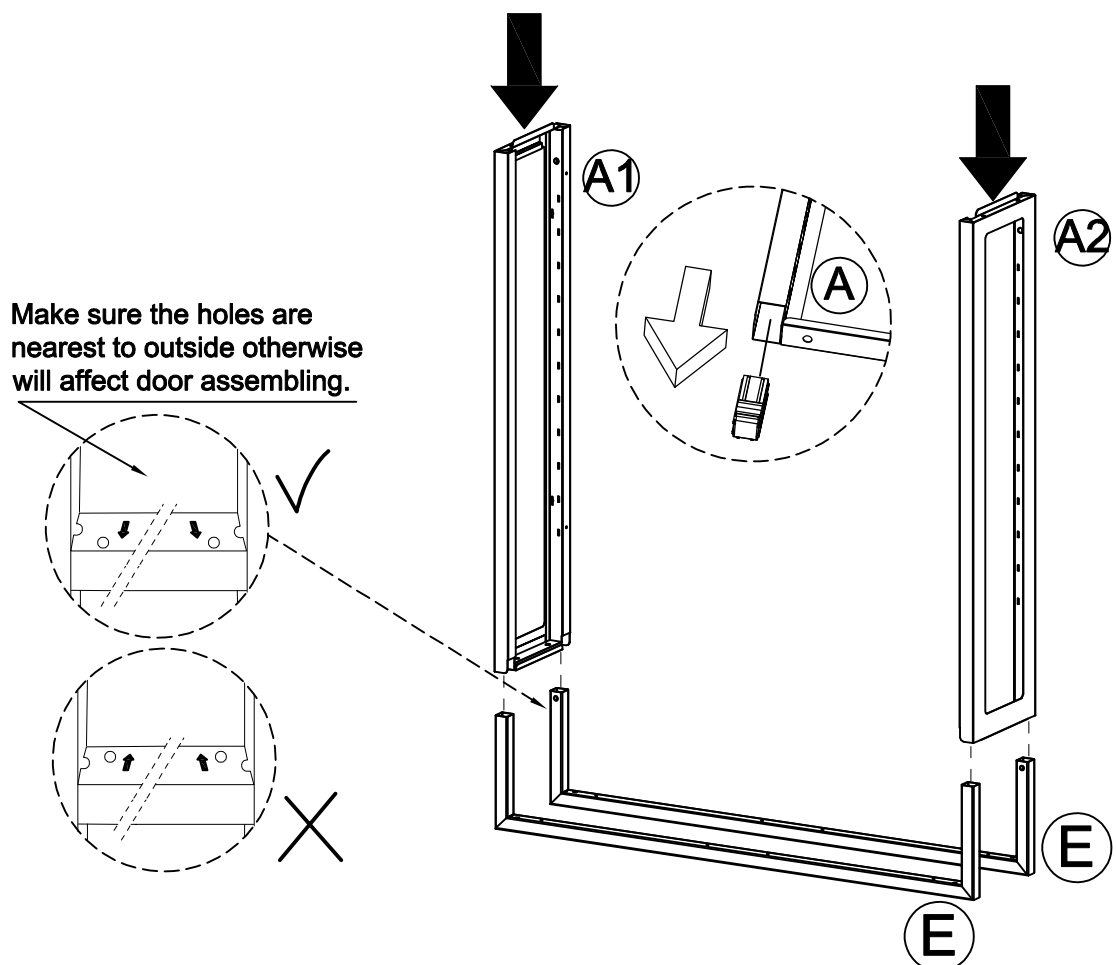


Hardware	Ctn No.	1
----------	---------	---

No.	Size	Qty
A1	798x180x23mm	1
A2	798x180x23mm	1
B1	778x393x23mm	1
B2	778x380x23mm	1
C1	756x374.5x20mm	1
C2	756x374.5x20mm	1
D	800x180x34mm	1
E	170x798.5x20mm	2
F	660x29x23mm	1
G	786x155x20mm	2

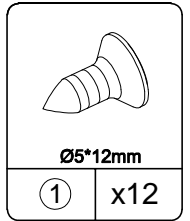
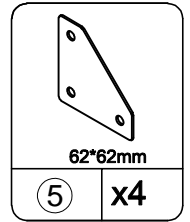
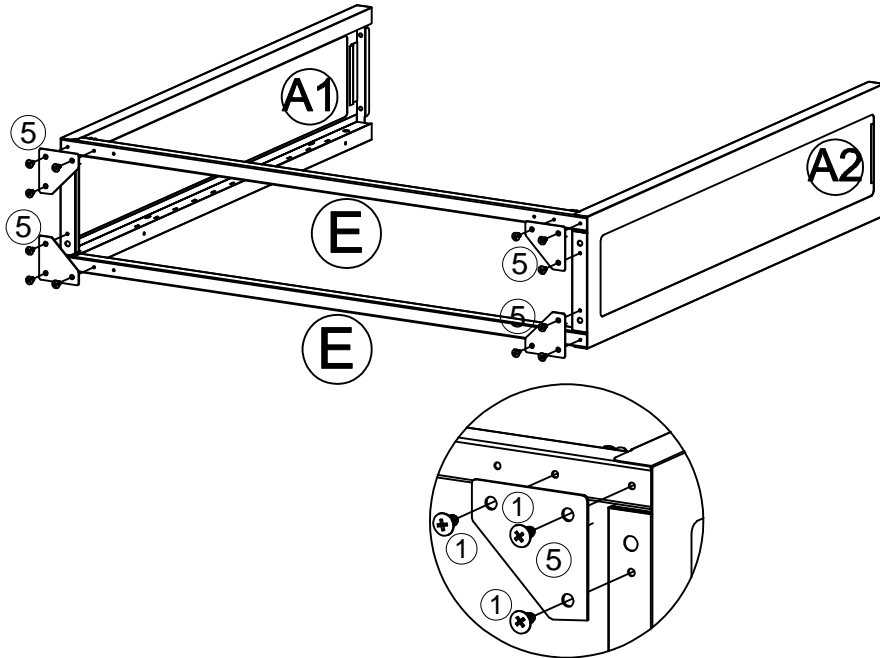


(1) - Attach (A1)&(A2) to (E) as below shown.

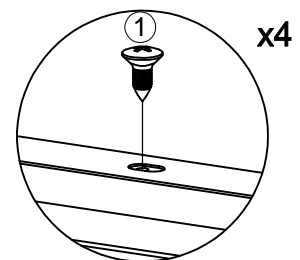
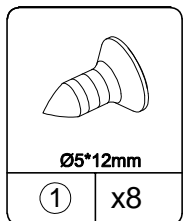
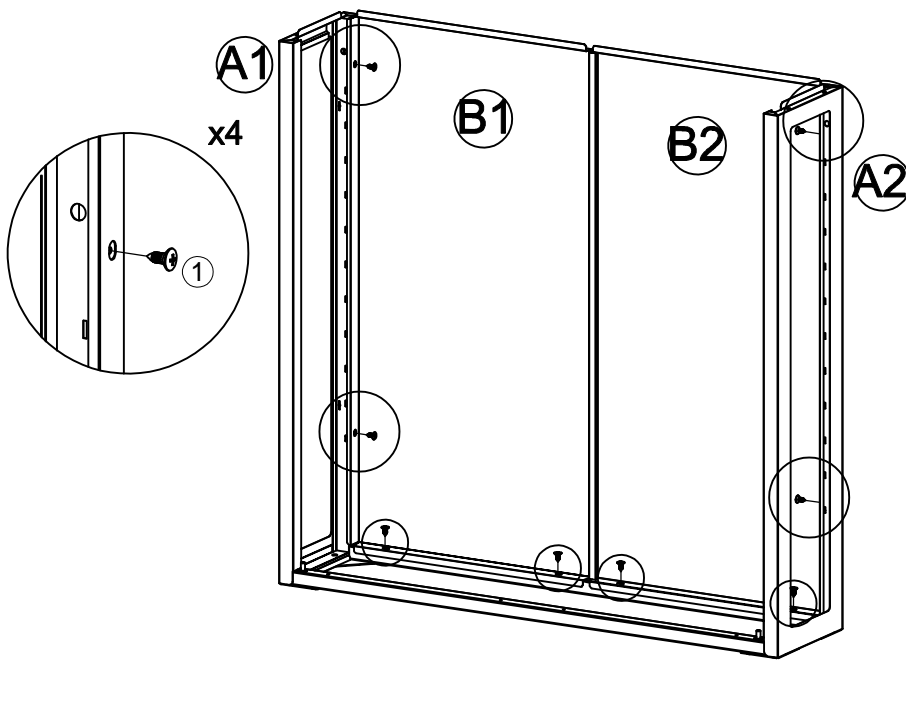


The plastic foot cover face down

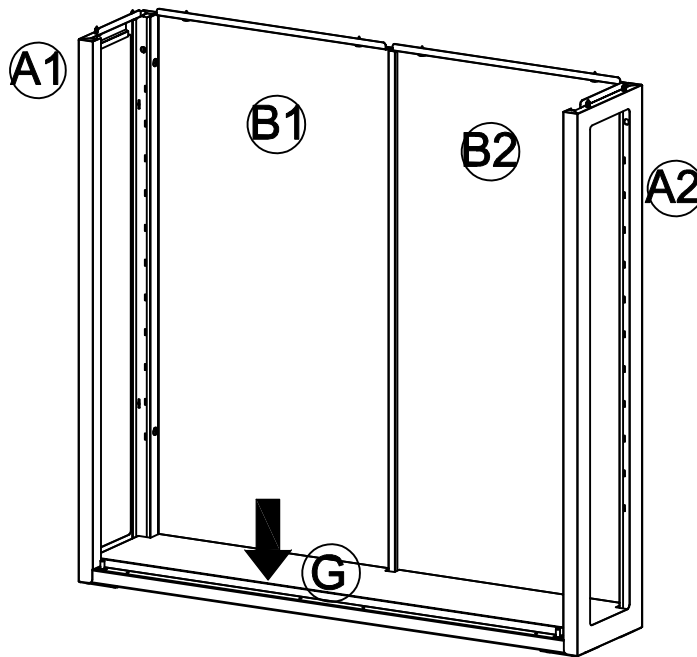
(2) - Attach ⑤ to (A1)&(A2)&(E) as below shown.



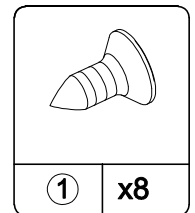
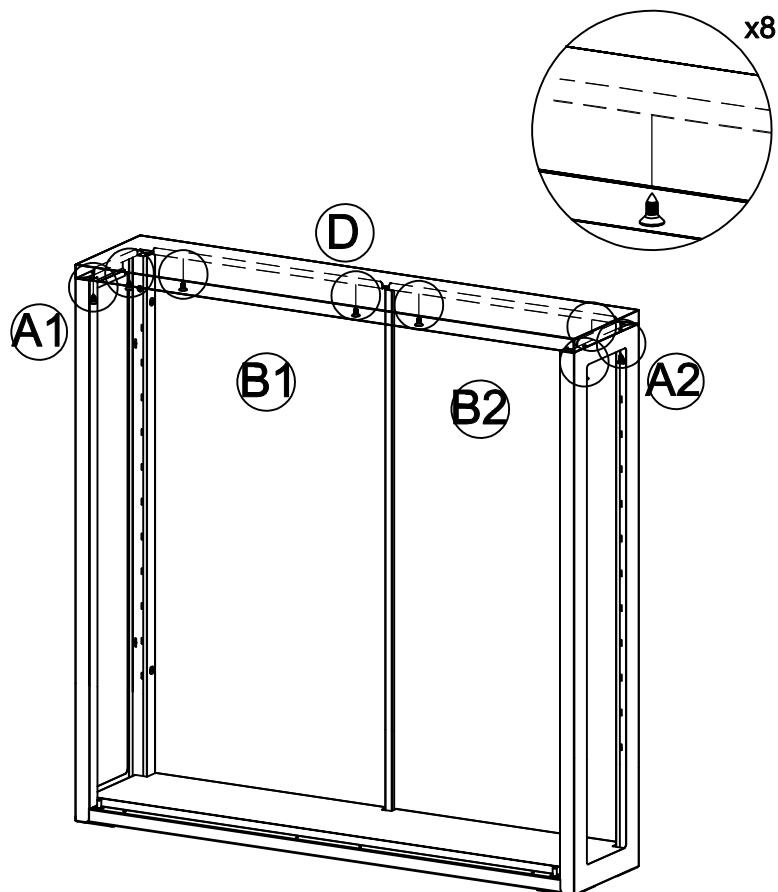
(3) - Attach (B1) &(B2)to (A1)&(A2)&(E) as below shown.



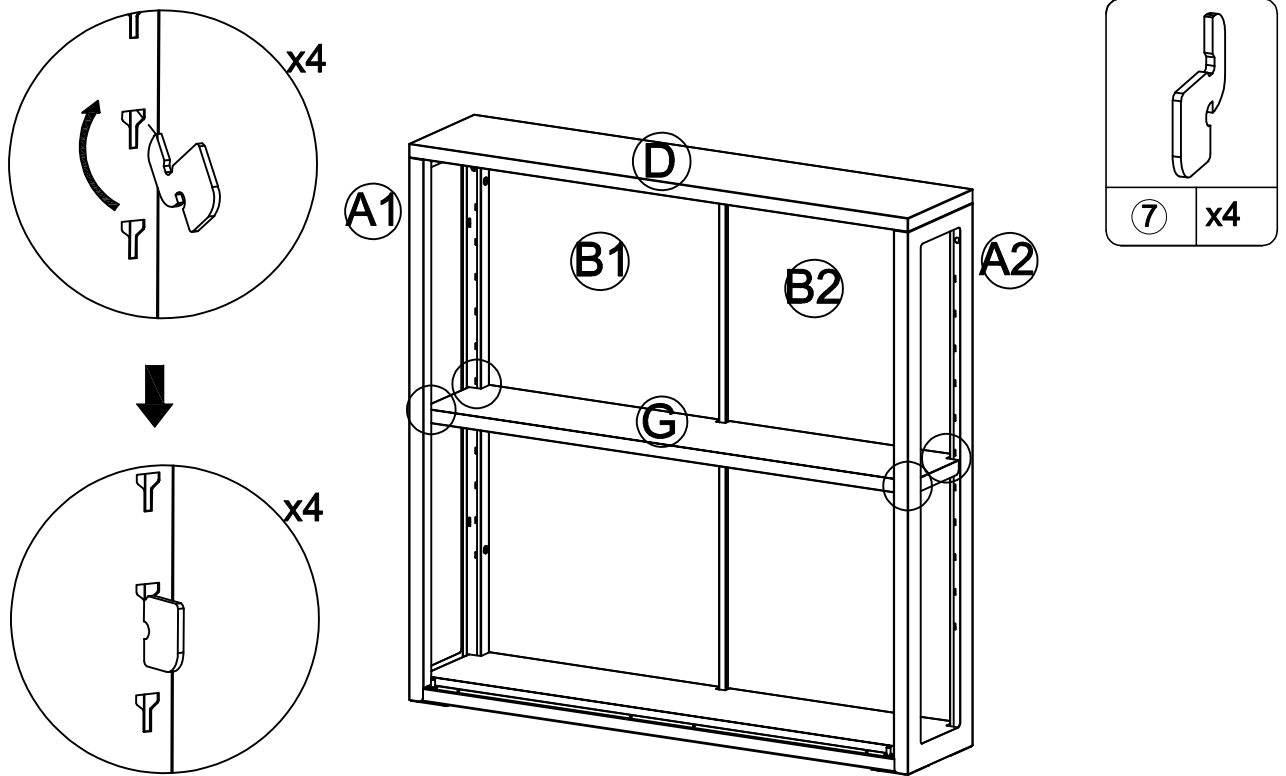
(4) - Attach (G) to (A1)&(A2) as below shown.



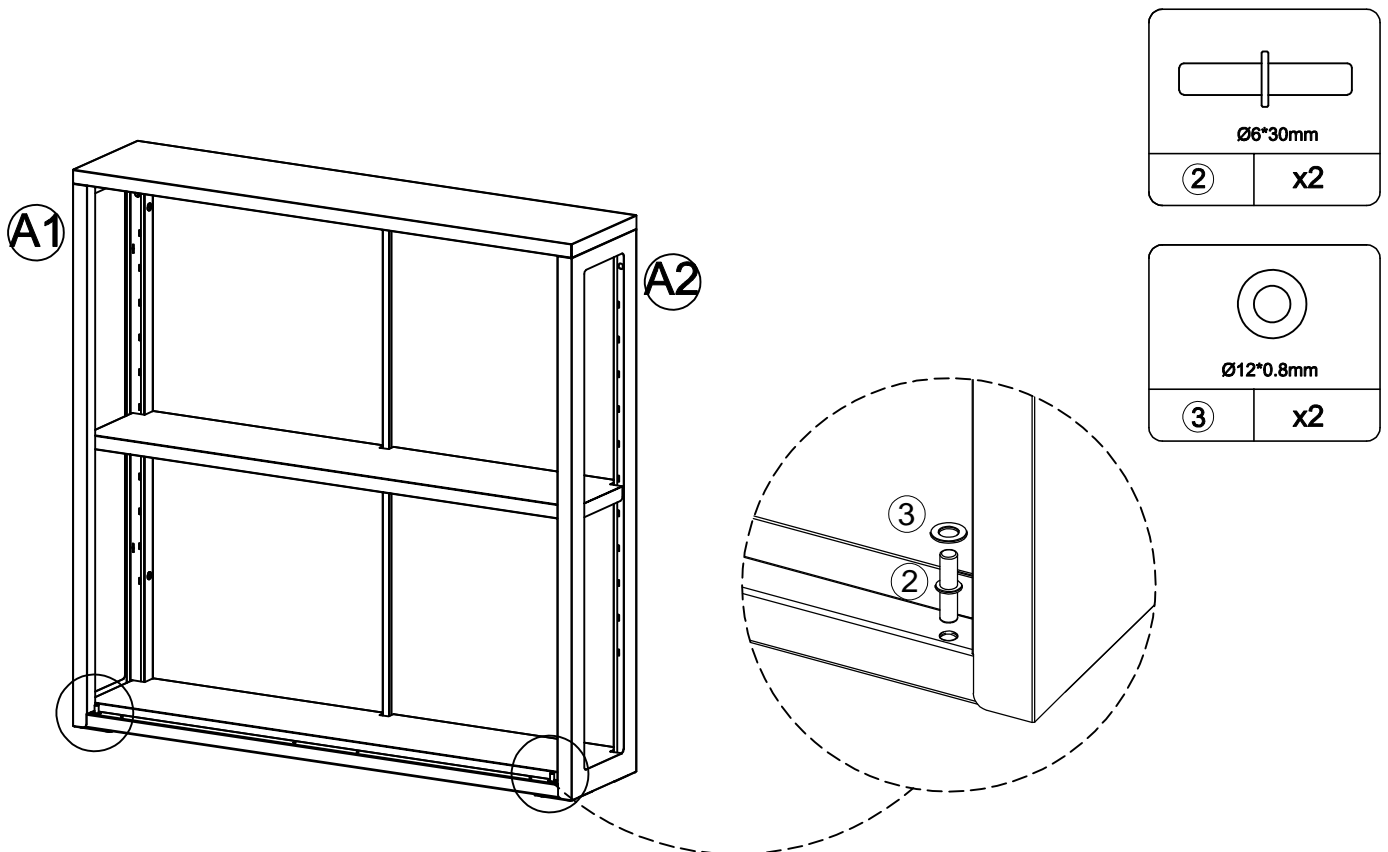
(5) - Attach (D) to (A1)&(A2)&(B1)&(B2) as below shown.



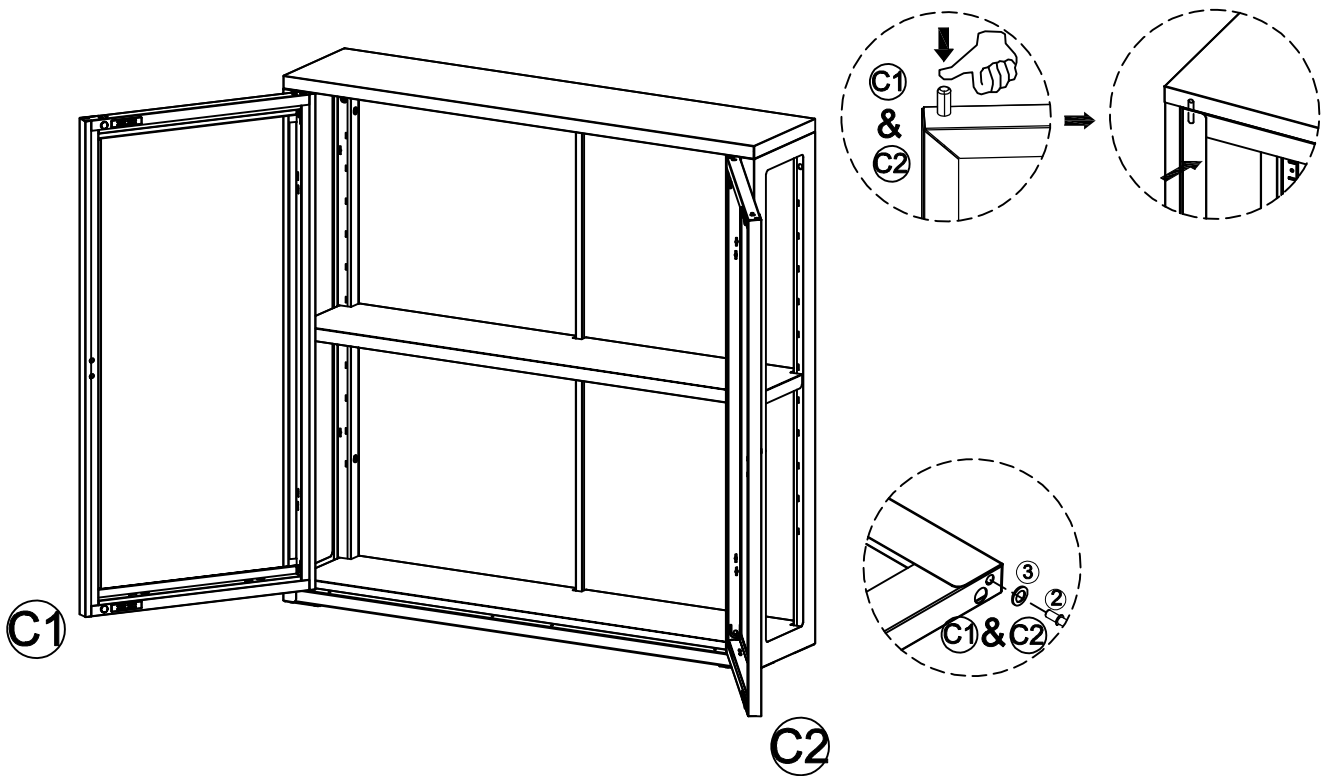
(6) - Attach (G) to pre-assembled unit as below shown.



(7) - Attach (2) & (3) to pre-assembled unit as below shown.



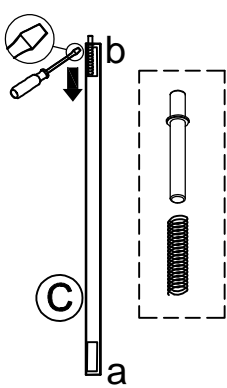
(8) - Attach (C1) & (C2) to pre-assembled unit as below shown.



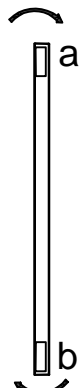
door pillar exchange process

WARNING

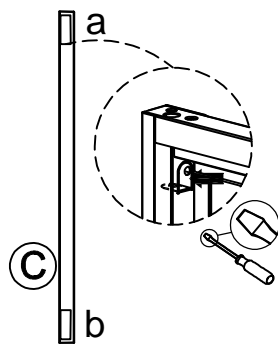
This step is just to switch the left door to the right door!



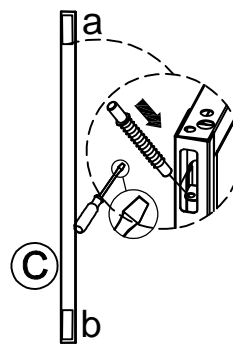
STEP 1



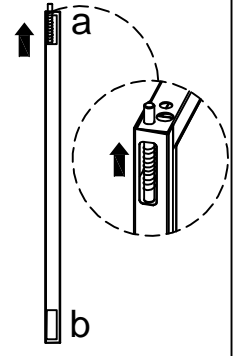
STEP 2



STEP 3

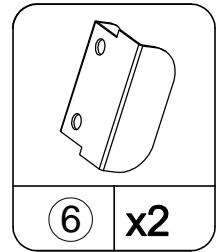
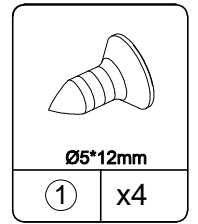
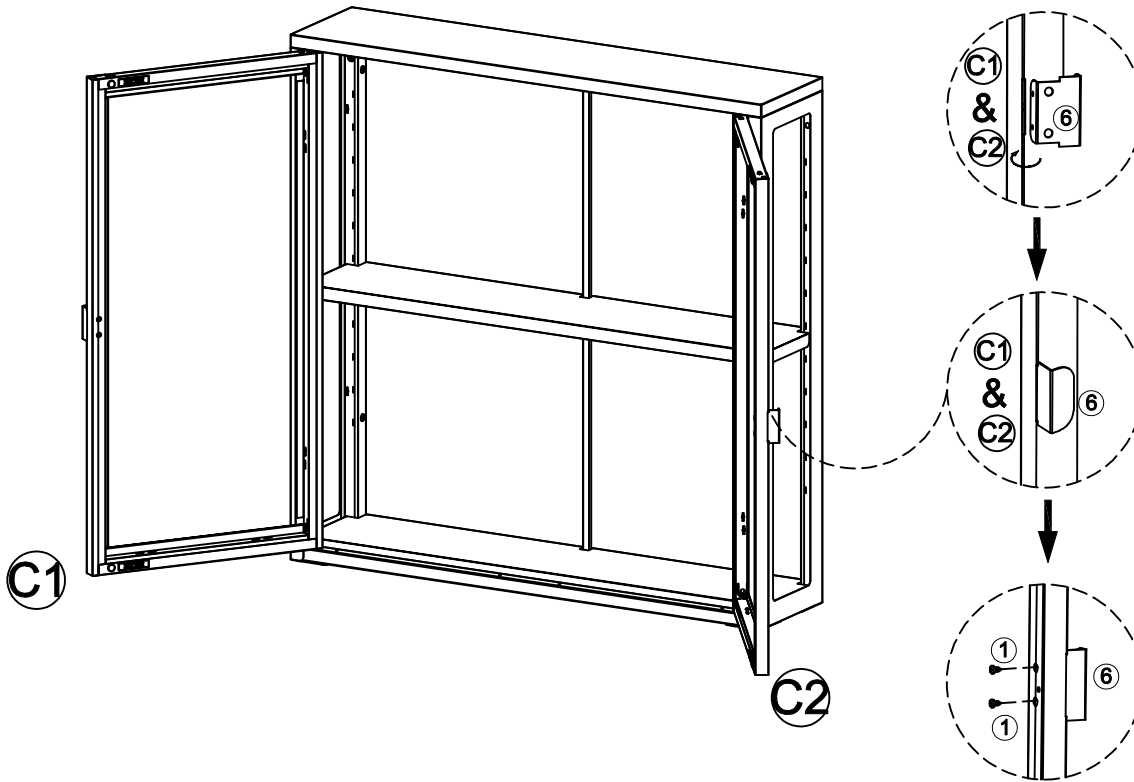


STEP 4

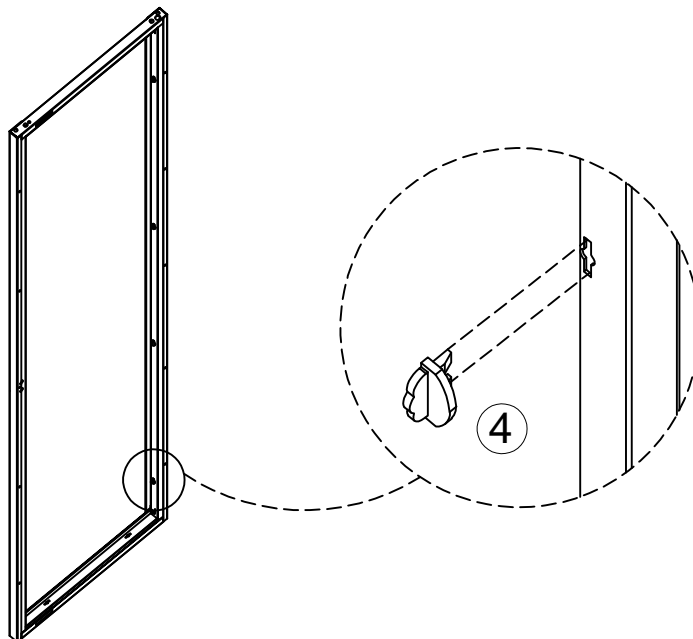


STEP 5

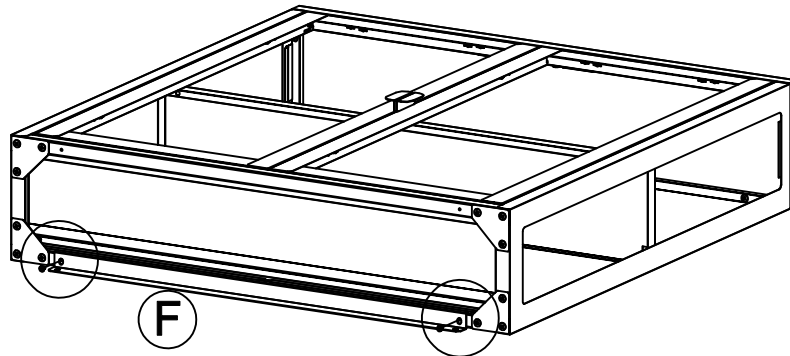
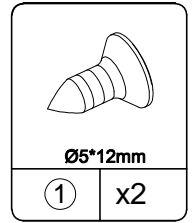
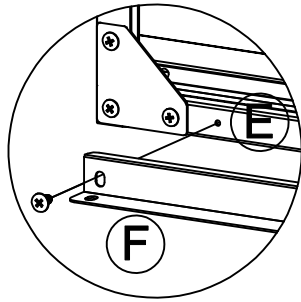
(9) - Attach (6) to (C1) & (C2) as below shown.



spare parts of glass buckle



(10) - Attach (F) to (E) as below shown.



(11)

