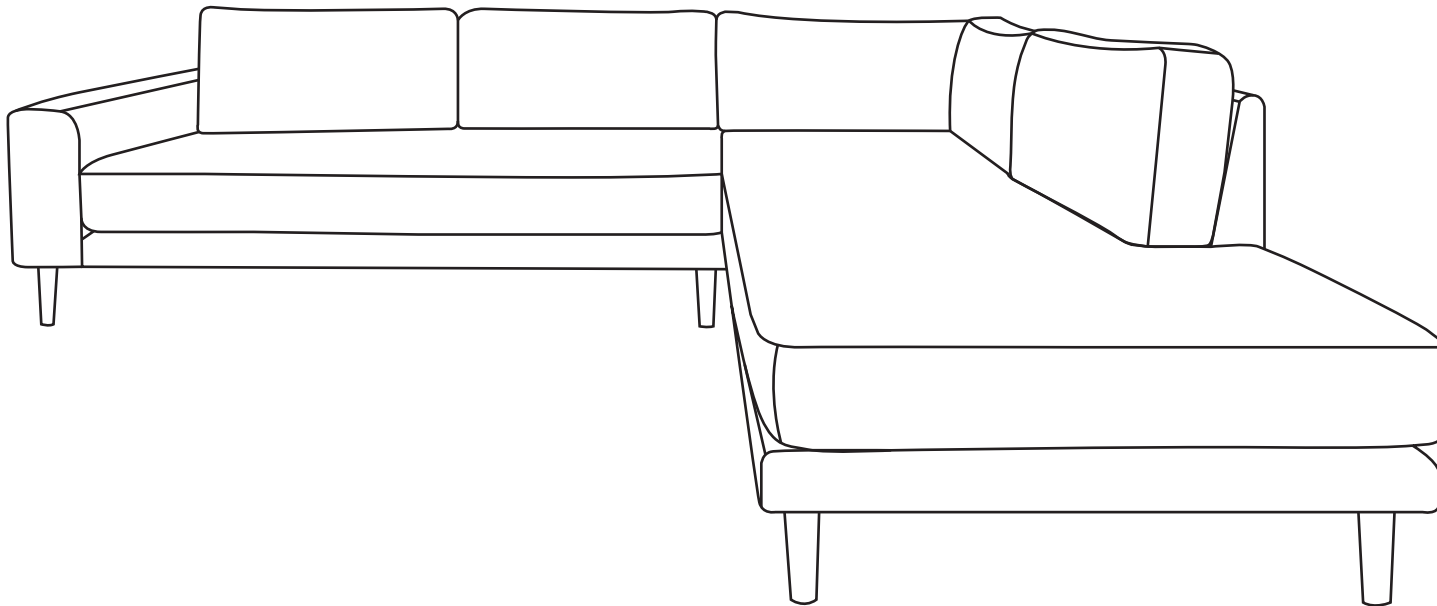


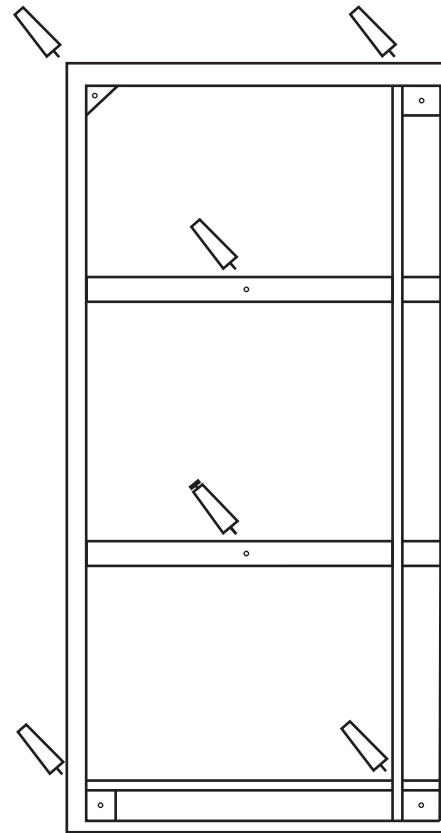
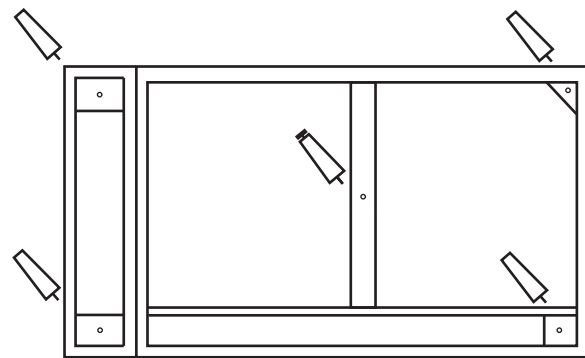
# ASSEMBLY INSTRUCTION

## LIDO CORNER SOFA

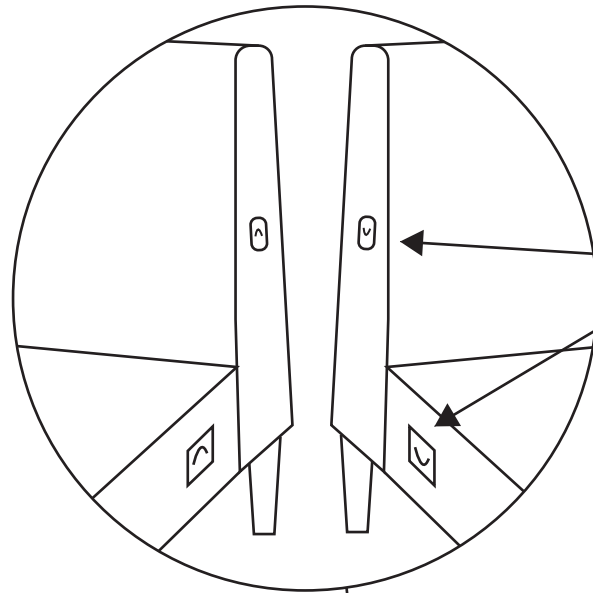




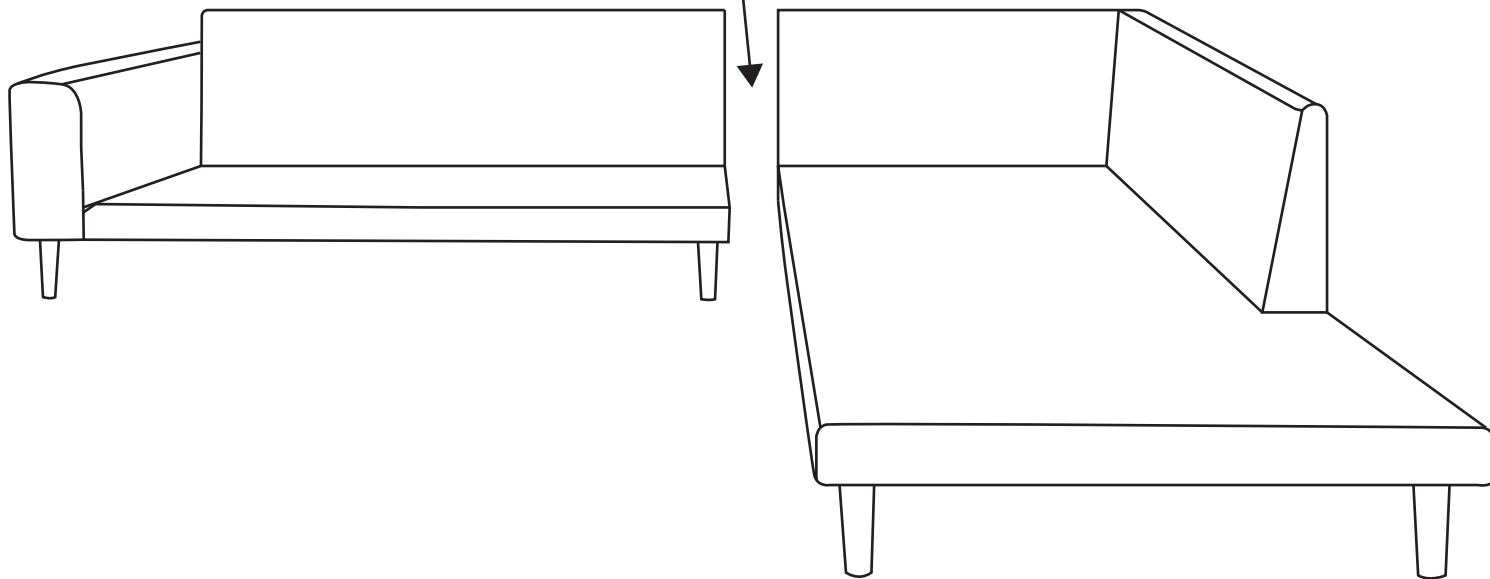
1 Screw the legs on to the sofa



2

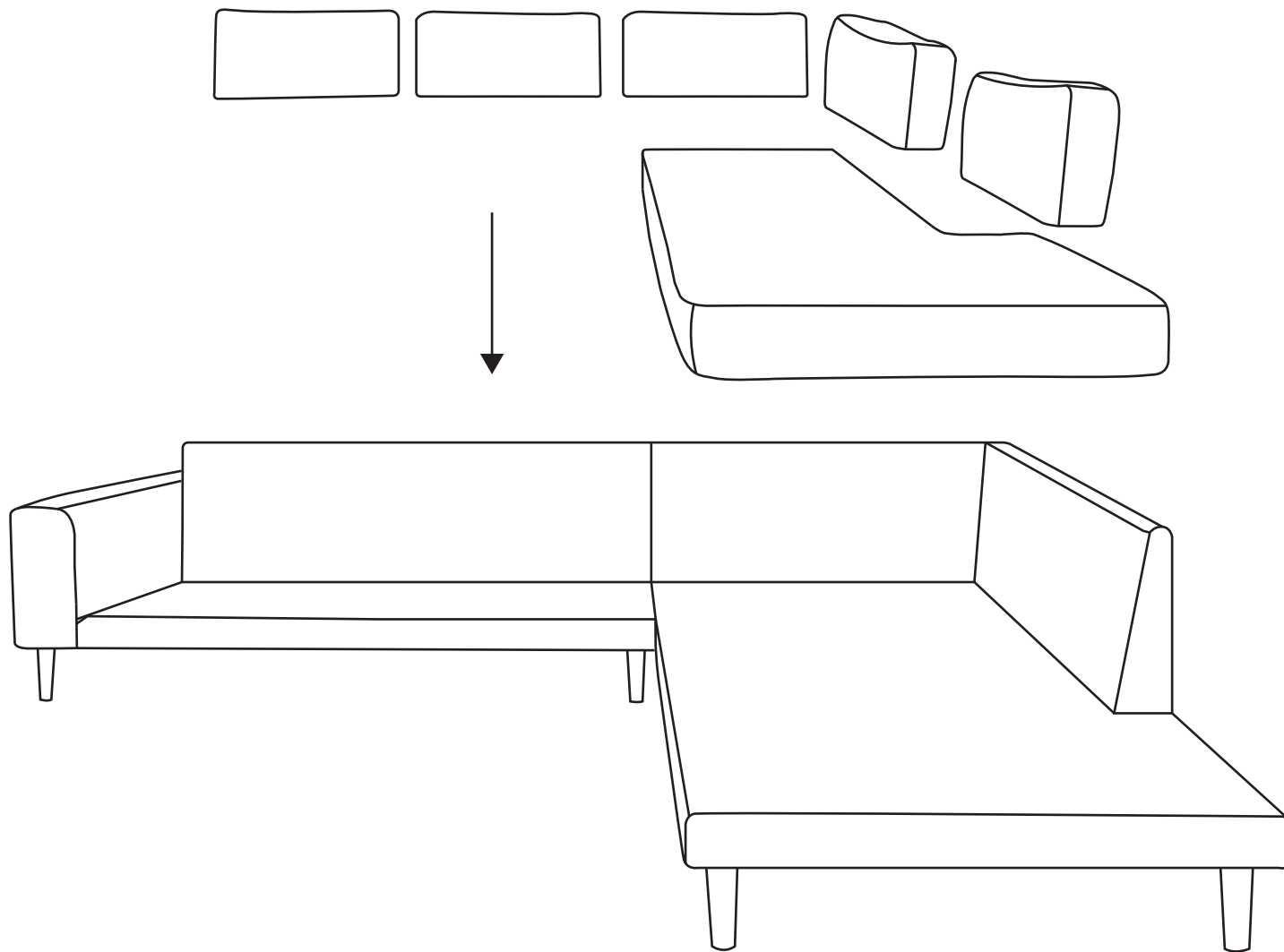


Lift and slide the six metal grips into each other

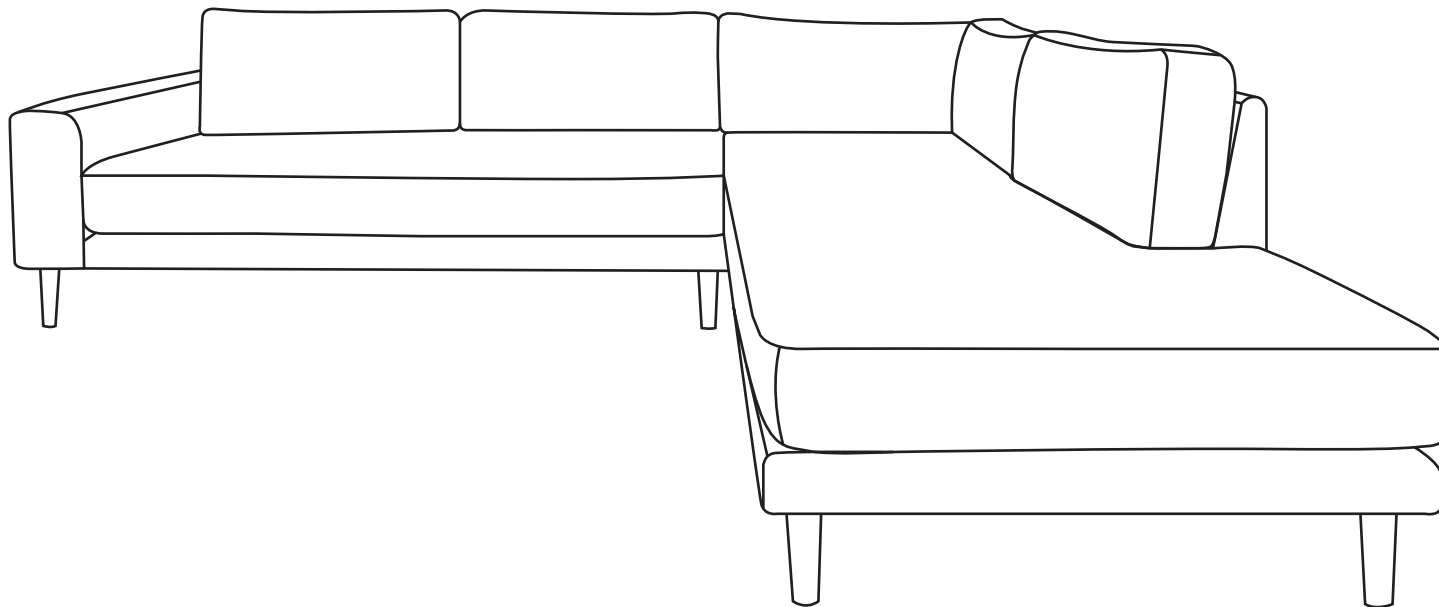


3

Place the cushions in the sofa



4



The fabric is non-washable and non-removable.