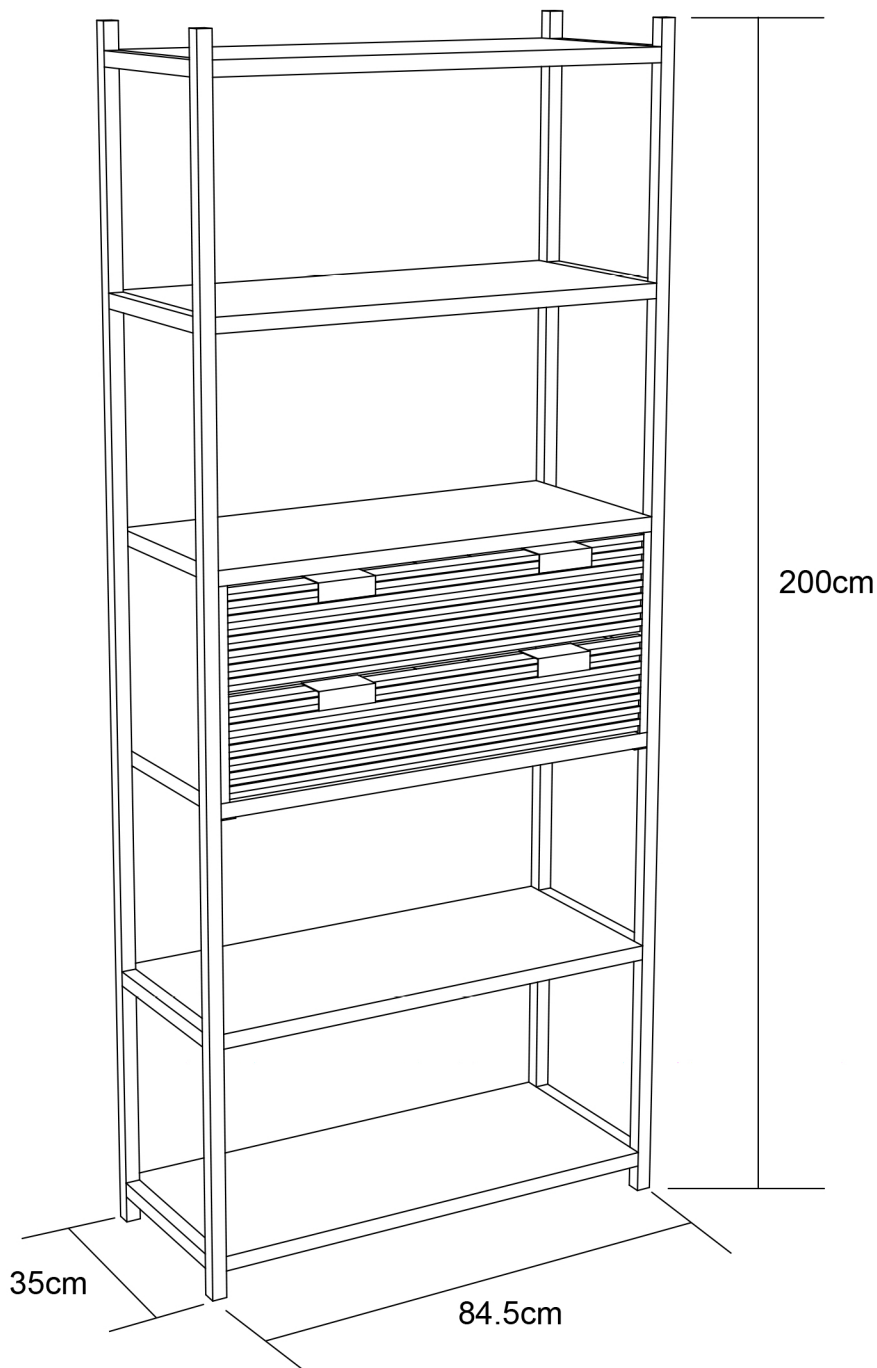


3001300
Minato Book case



FR
Pensez à
donner ou recycler.



ou

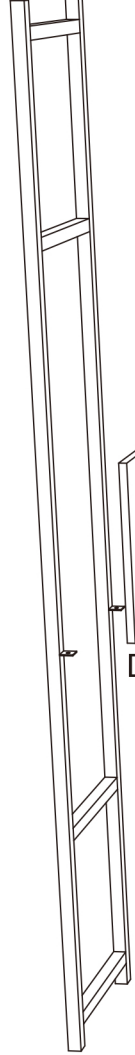


ou



<https://quefairedemesdechets.fr>

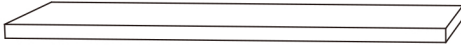
Ax2



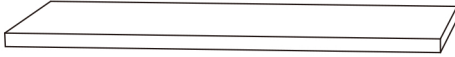
Bx4



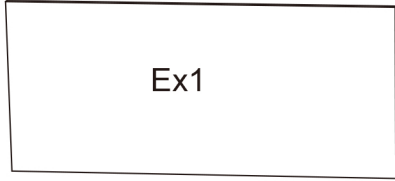
Bx4



Cx2



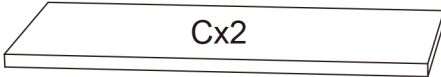
Ex1



Dx2



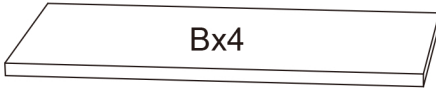
Cx2



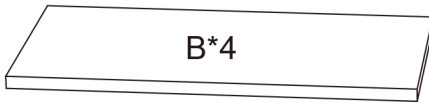
Dx2



Bx4



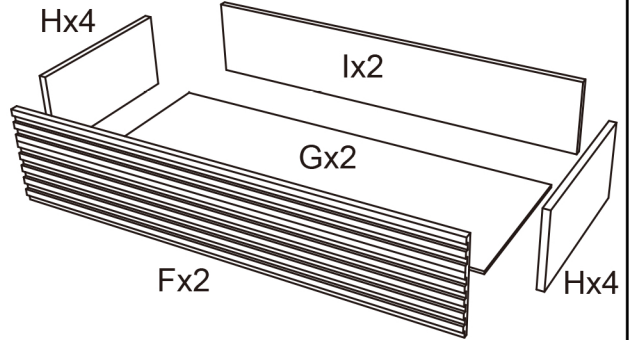
B*4



Ax2



Hx4

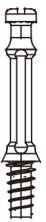


Ix2

Gx2

Fx2

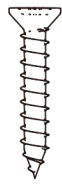
Hx4



S1x26



S2x26



S3x8



S4x6



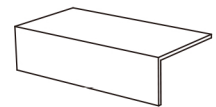
S5x16



S6x16



S7x16



S8x4



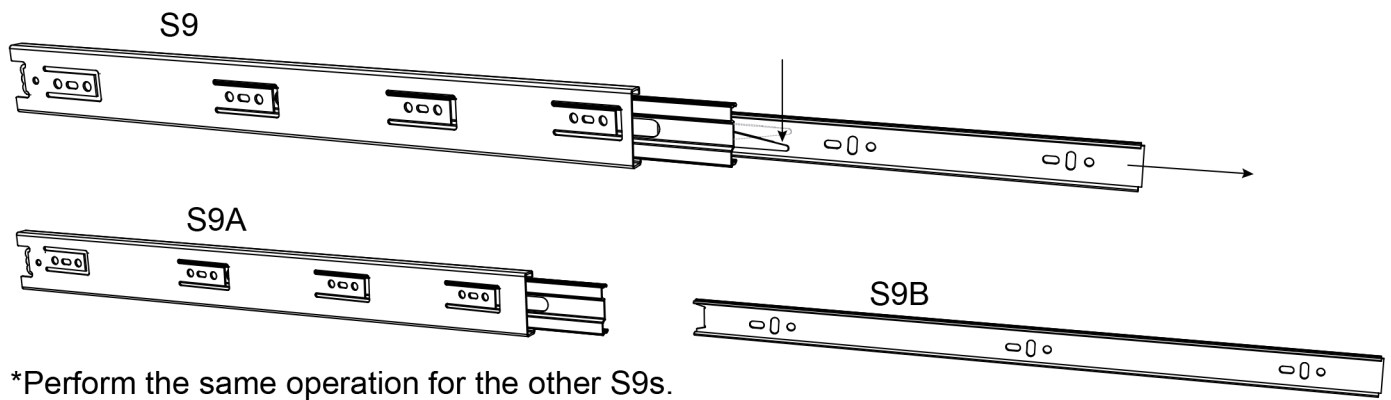
S9x4



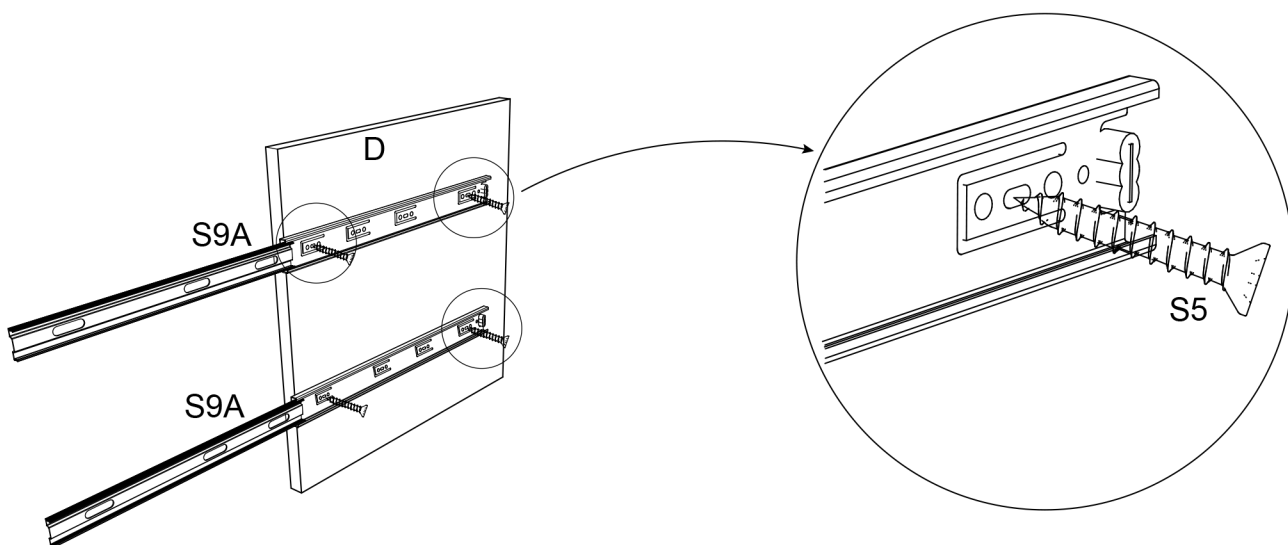
S10x4



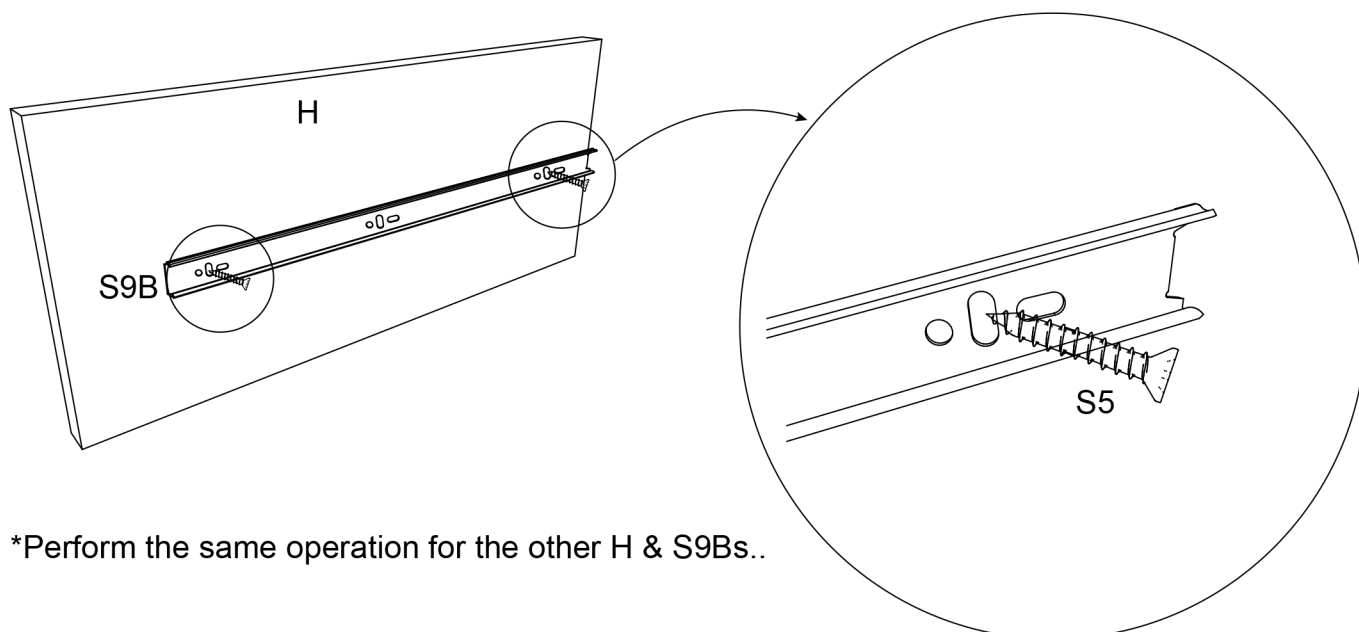
S11x1



*Perform the same operation for the other S9s.



*Perform the same operation for the other D & S9As.



*Perform the same operation for the other H & S9Bs..

