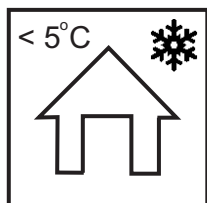
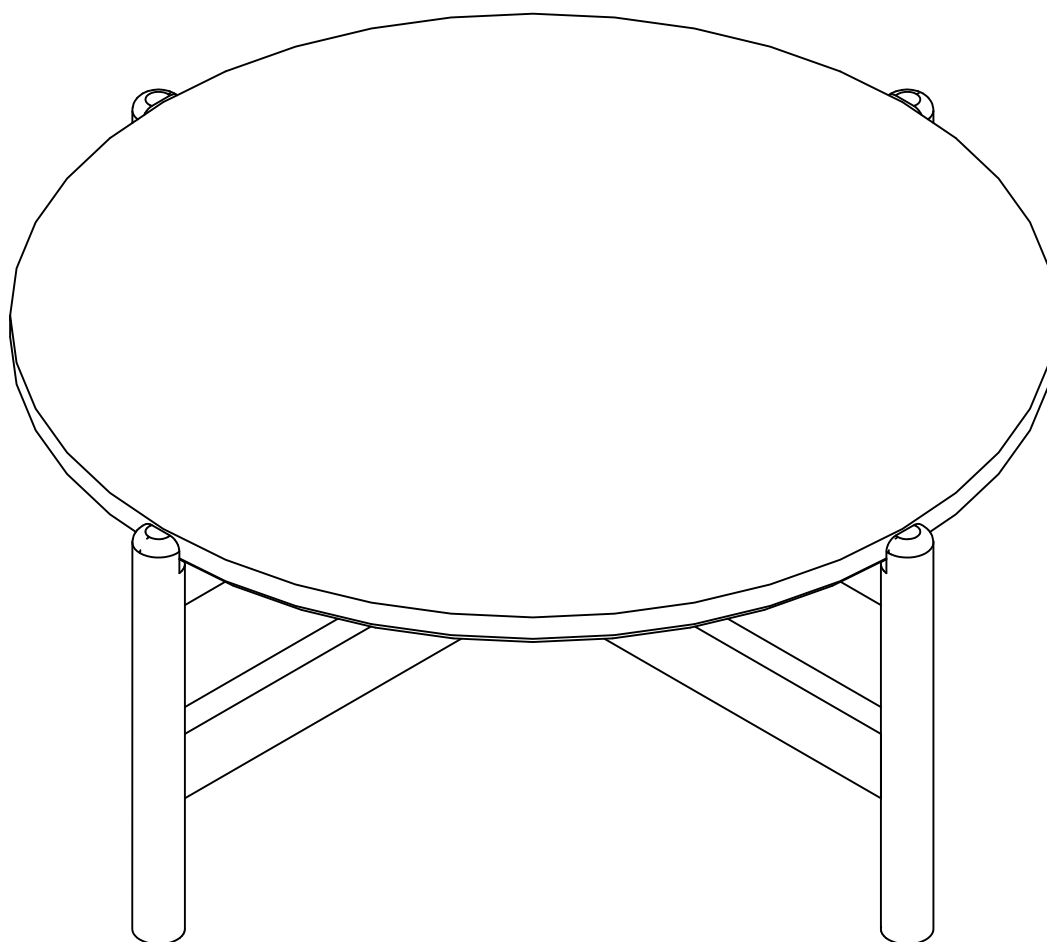


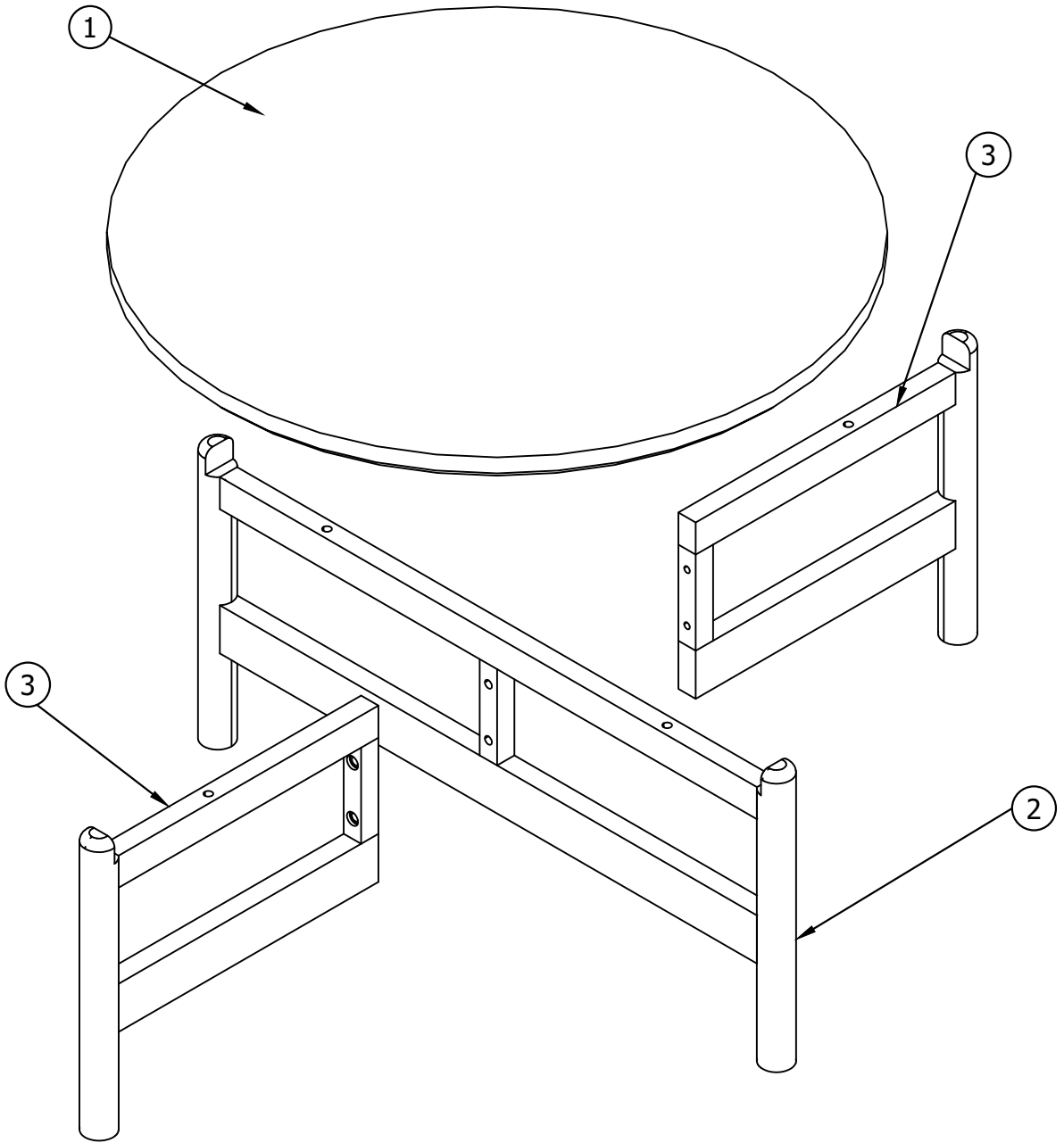
ASSEMBLY INSTRUCTIONS

Read this instruction carefully. Refer hardware and furniture parts list for guidance. Be sure all parts are complete, before assembling. Place all wooden furniture part on a clean and flat soft surface to prevent scratches. Refer steps provided as assembling guide.

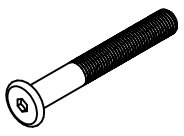
CAUTIONS :

1. Do not **FULLY-TIGHTEN** the nuts or nut bolts until all are in place.
2. To prevent thread damage. Ensure that nuts or nut bolts are not over-tighten.
3. Hardware are to be kept out of reach from children.



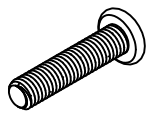


(A)



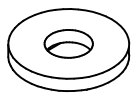
Bolt M8x60
X
02PCS

(B)



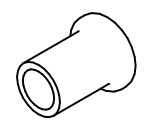
Bolt M6x60
X
04PCS

(C)



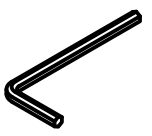
Washer
X
04PCS

(D)



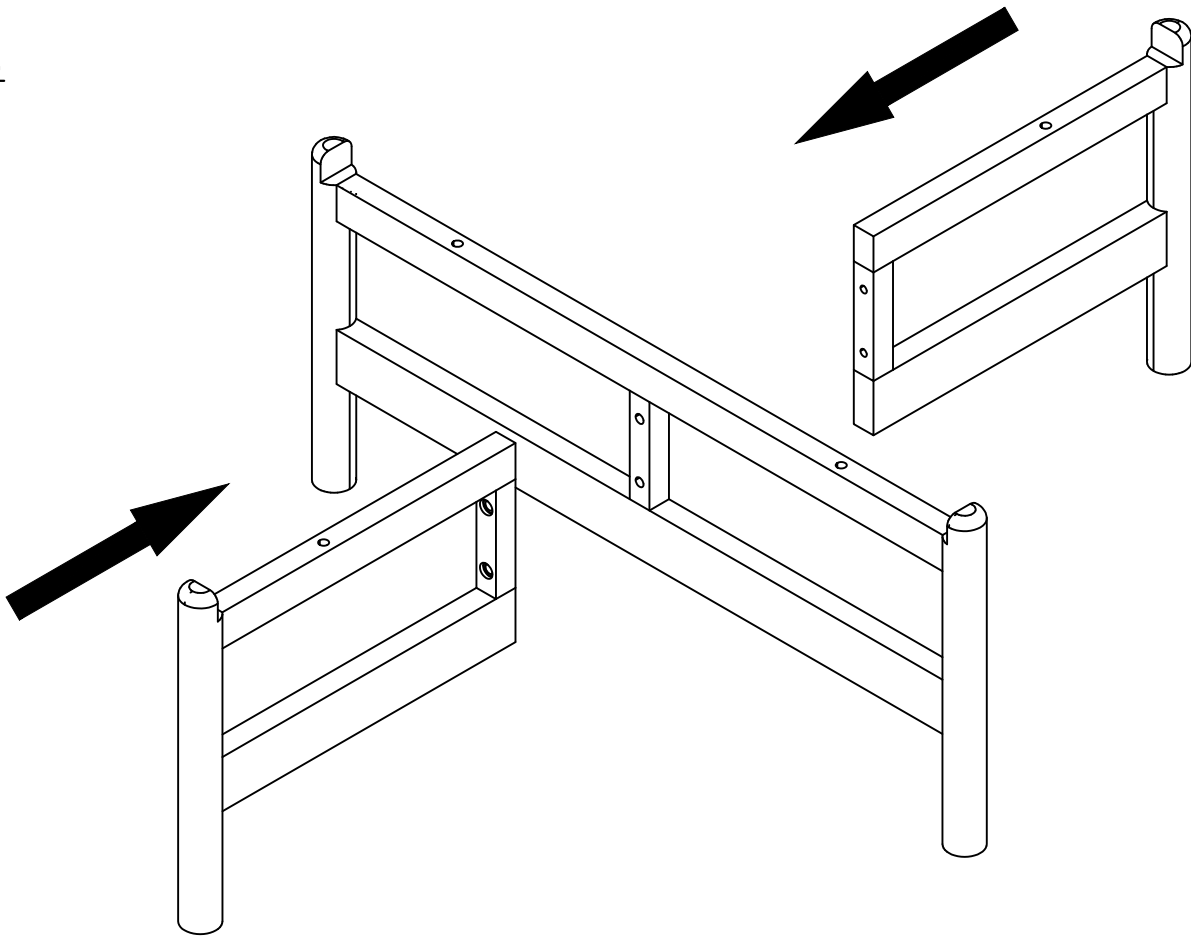
Nuts M8x13 D15
X
02PCS

(E)

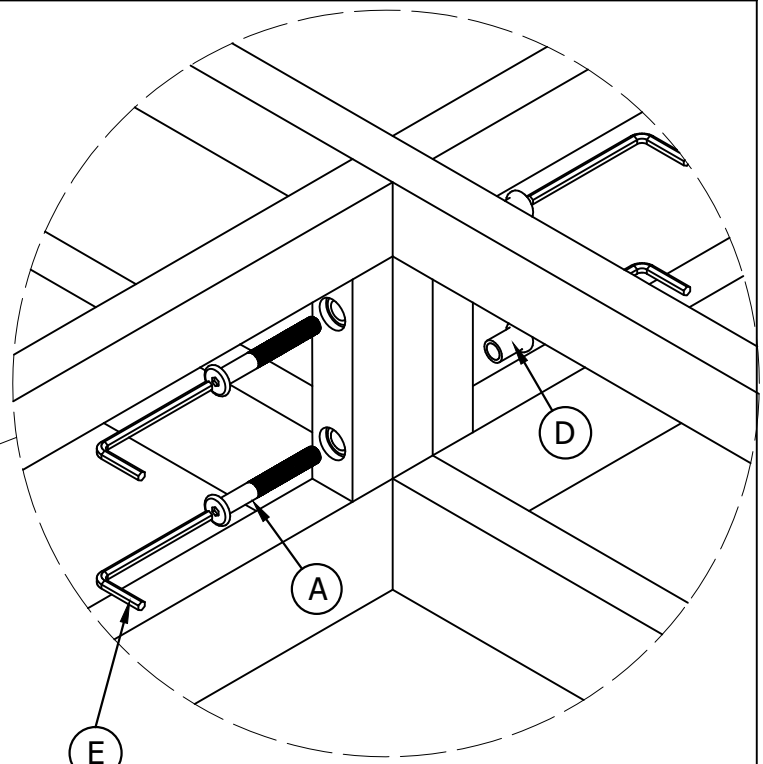
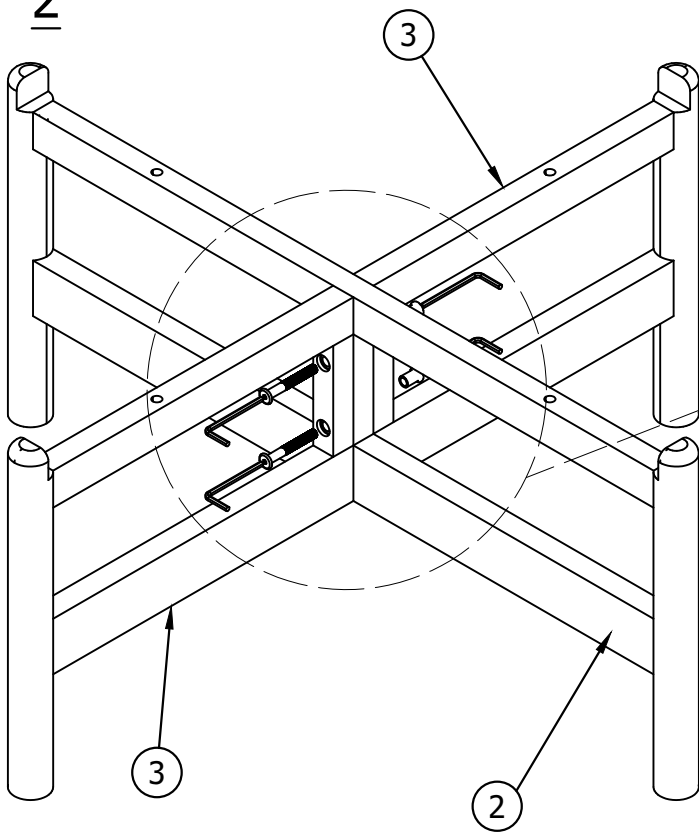


Allen key M4
X
02PCS

1



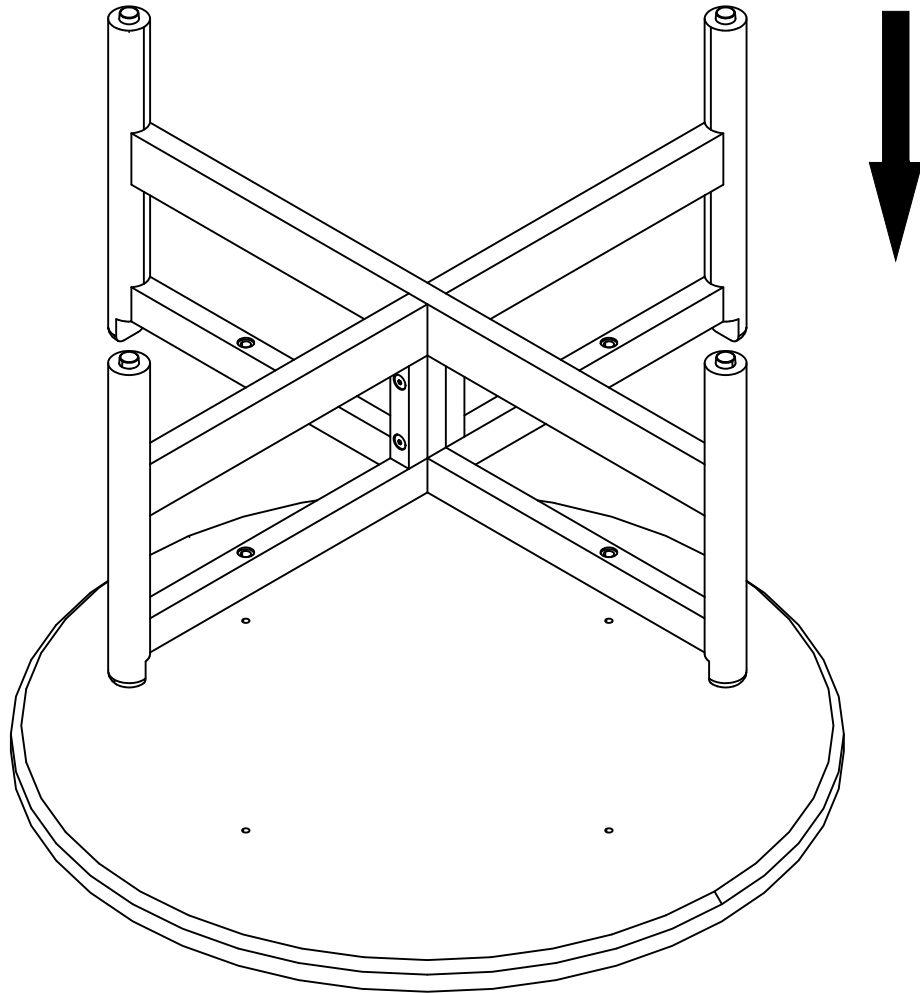
2



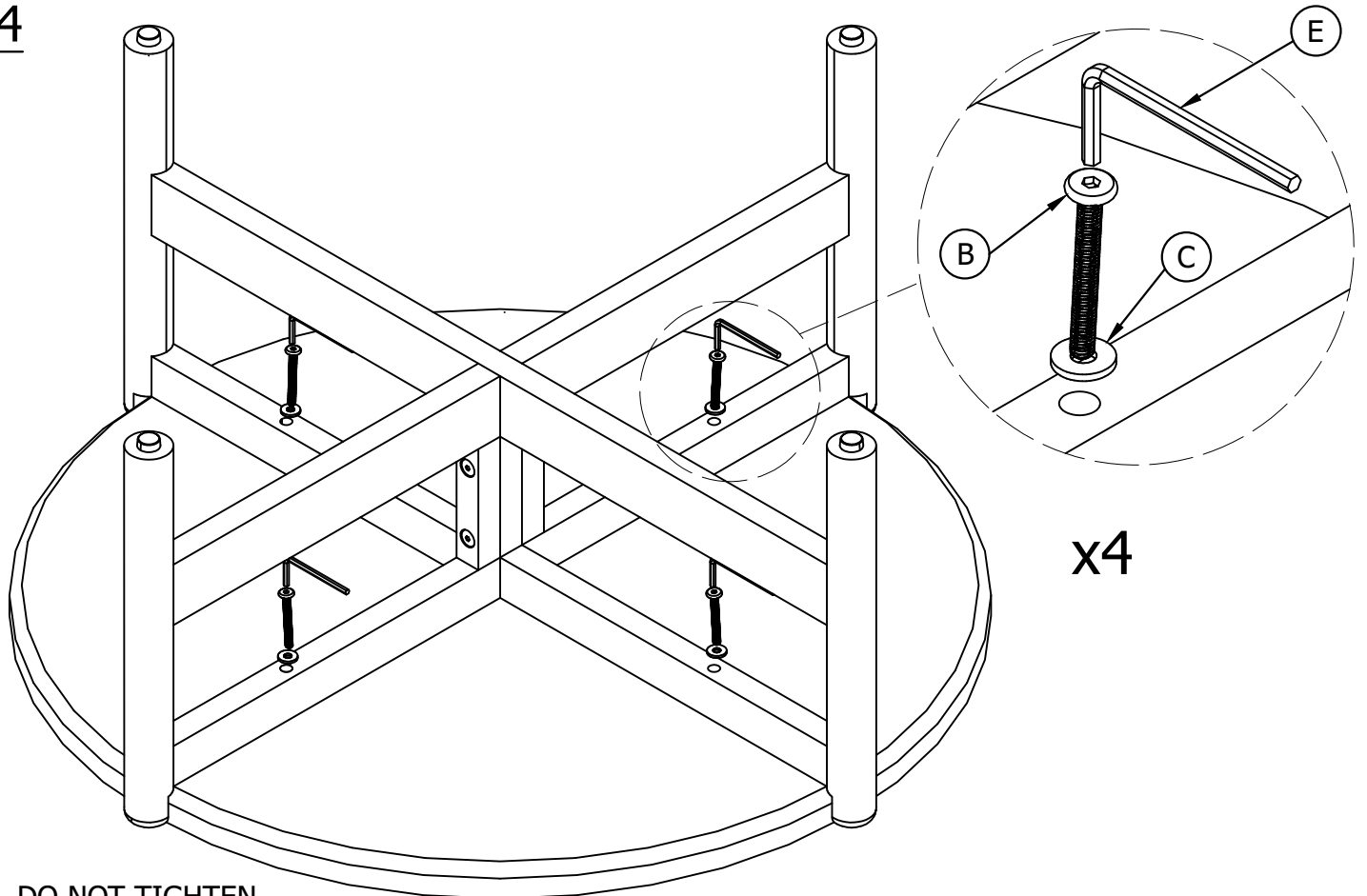
x2

DO NOT TIGHTEN
BOLT AND NUTS COMPLETELY

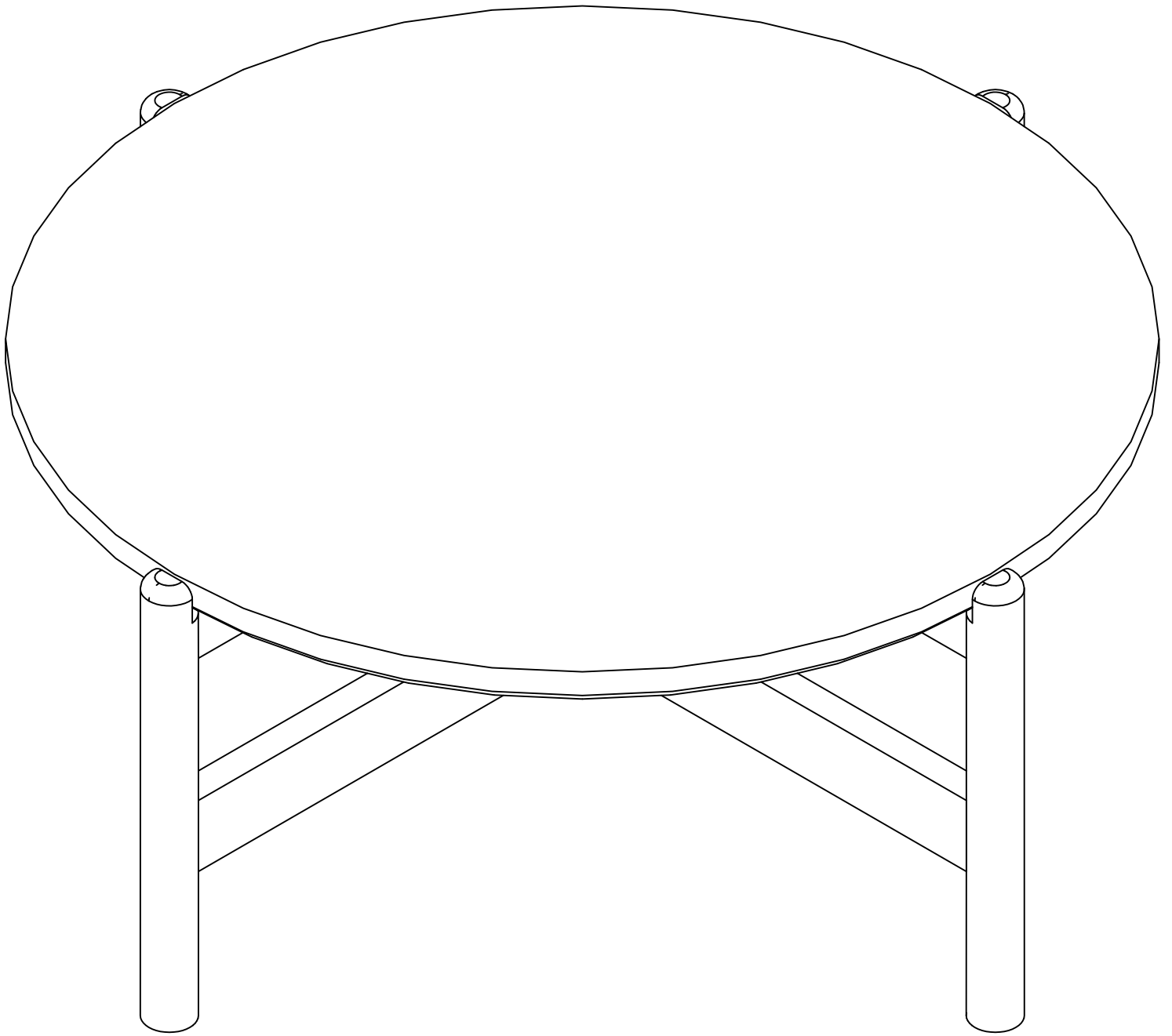
3



4



DO NOT TIGHTEN
BOLT COMPLETELY



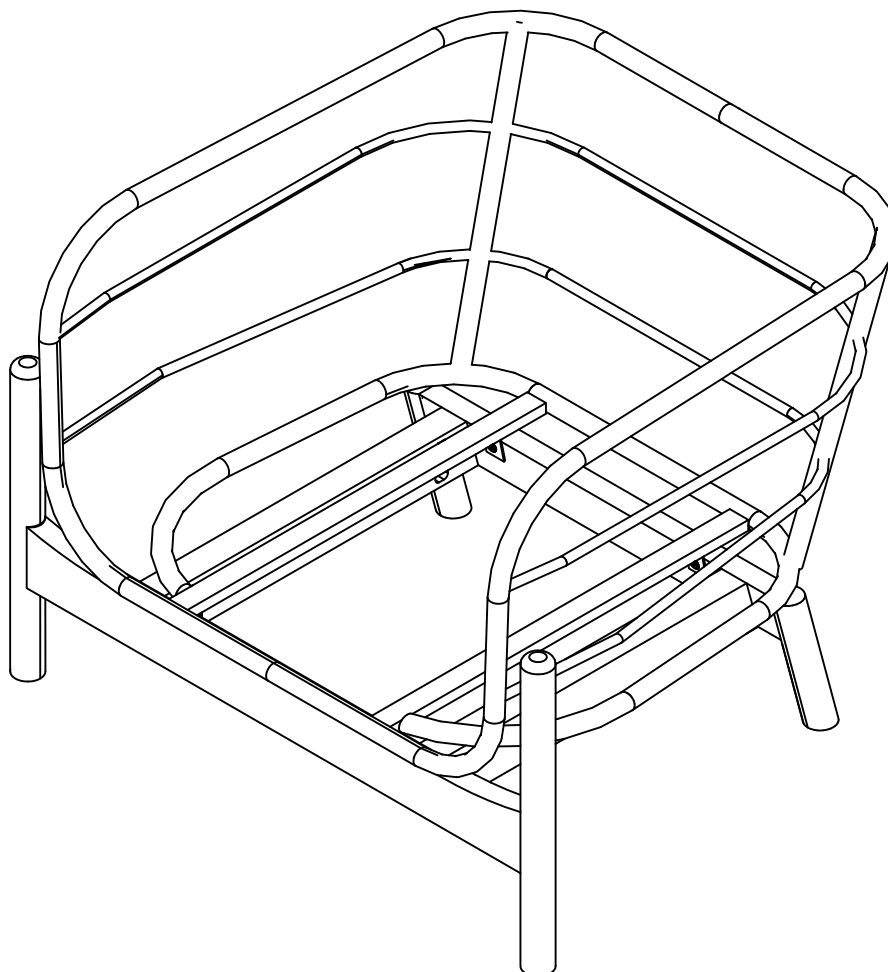
BE SURE TO CHECK ALL BOLTS ARE SECURELY TIGHTENED PRIOR TO USE.

ASSEMBLY INSTRUCTIONS

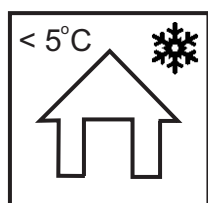
Read this instruction carefully. Refer hardware and furniture parts list for guidance. Be sure all parts are complete, before assembling. Place all wooden furniture part on a clean and flat soft surface to prevent scratches. Refer steps provided as assembling guide.

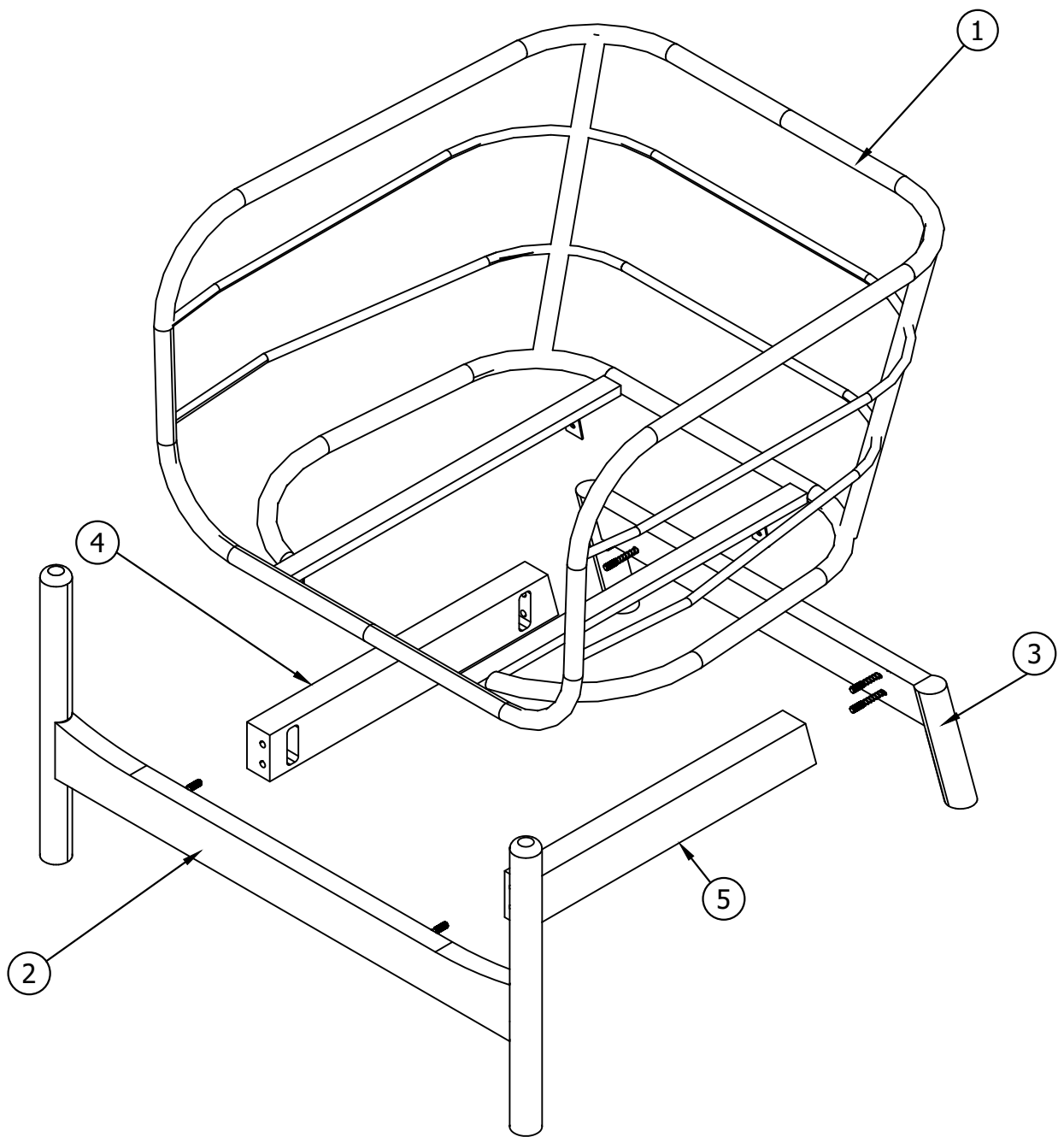
CAUTIONS :

1. Do not **FULLY-TIGHTEN** the nuts or nut bolts until all are in place.
2. To prevent thread damage. Ensure that nuts or nut bolts are not over-tighten.
3. Hardware are to be kept out of reach from children.

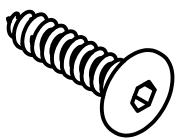


NOTE :
Illustration images are not product images



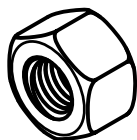


(A)



F-Screw 6x30
X
04PCS

(B)



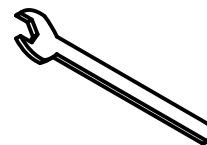
Hex nut 6.5x15
X
8PCS

(C)



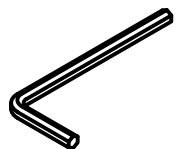
Washer
X
8PCS

(D)



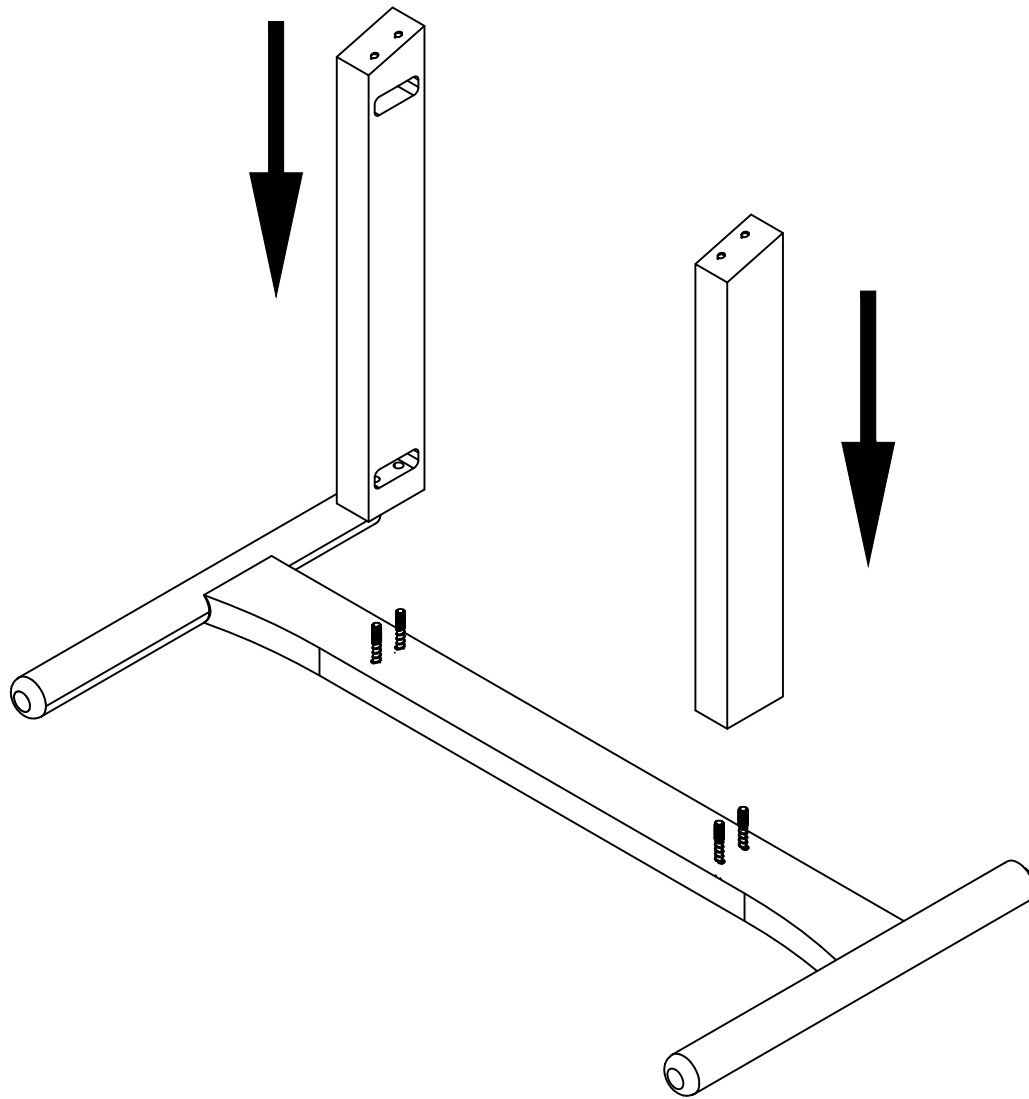
Wrench
X
01PC

(E)

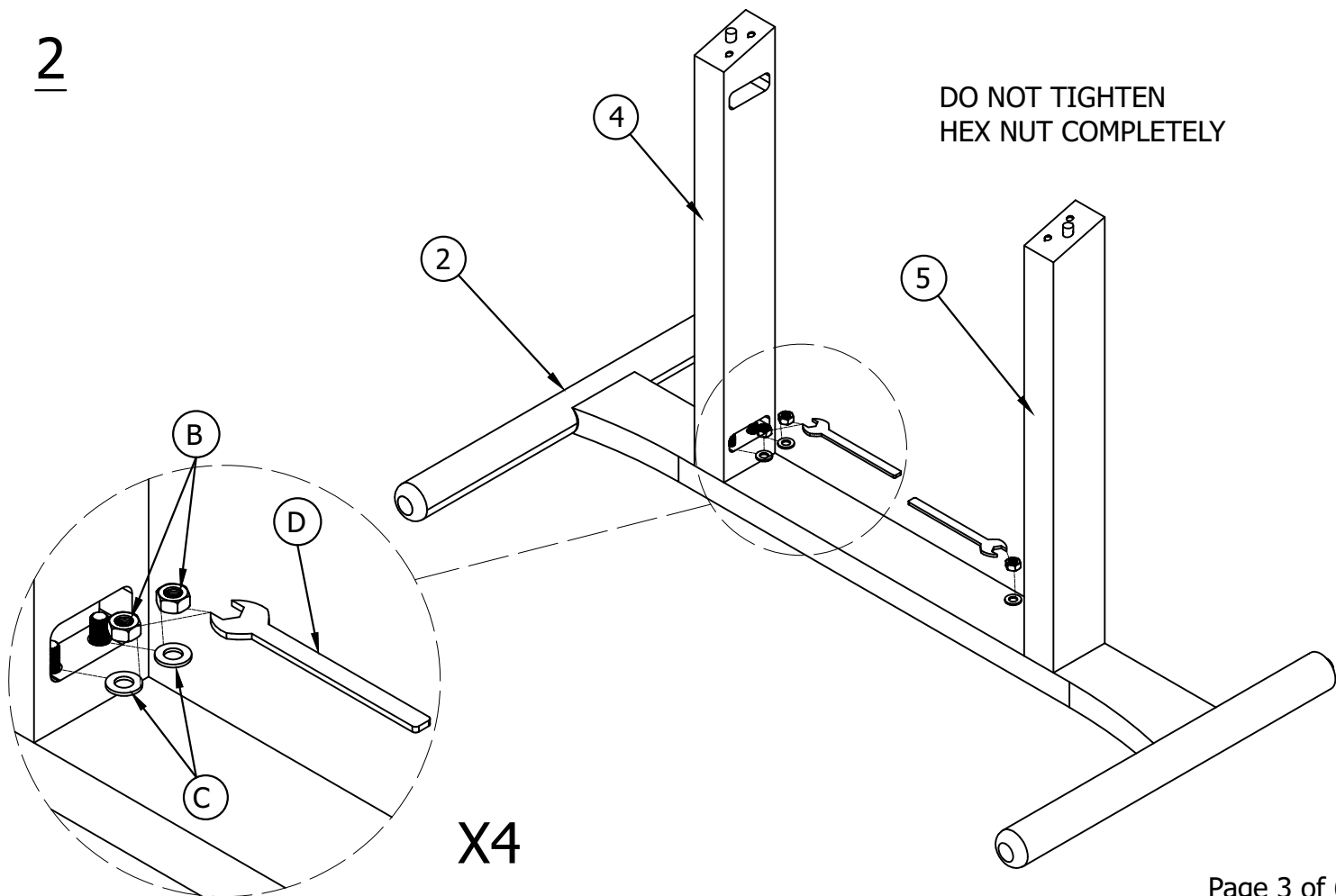


Allen key M4
X
01PC

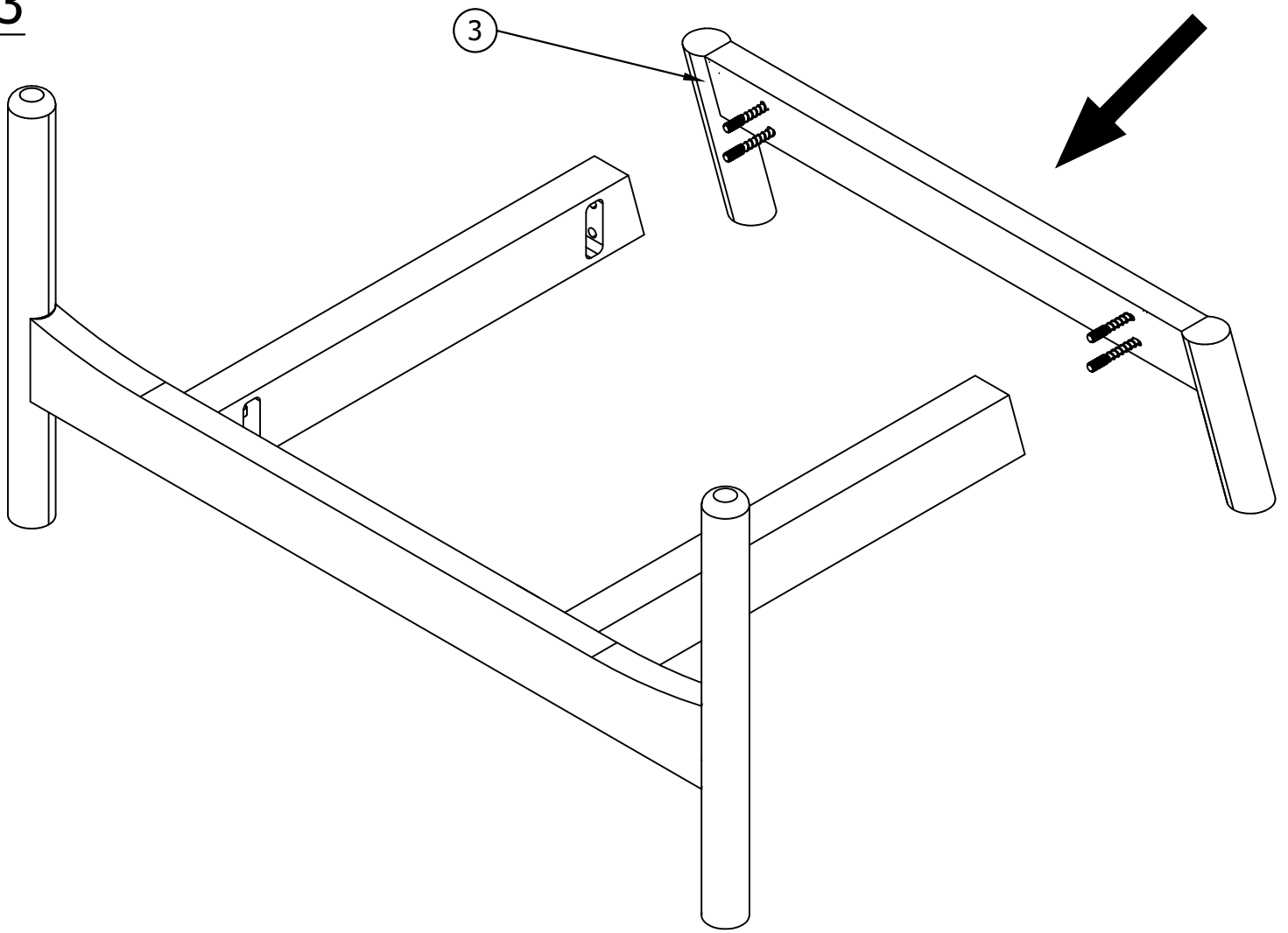
1



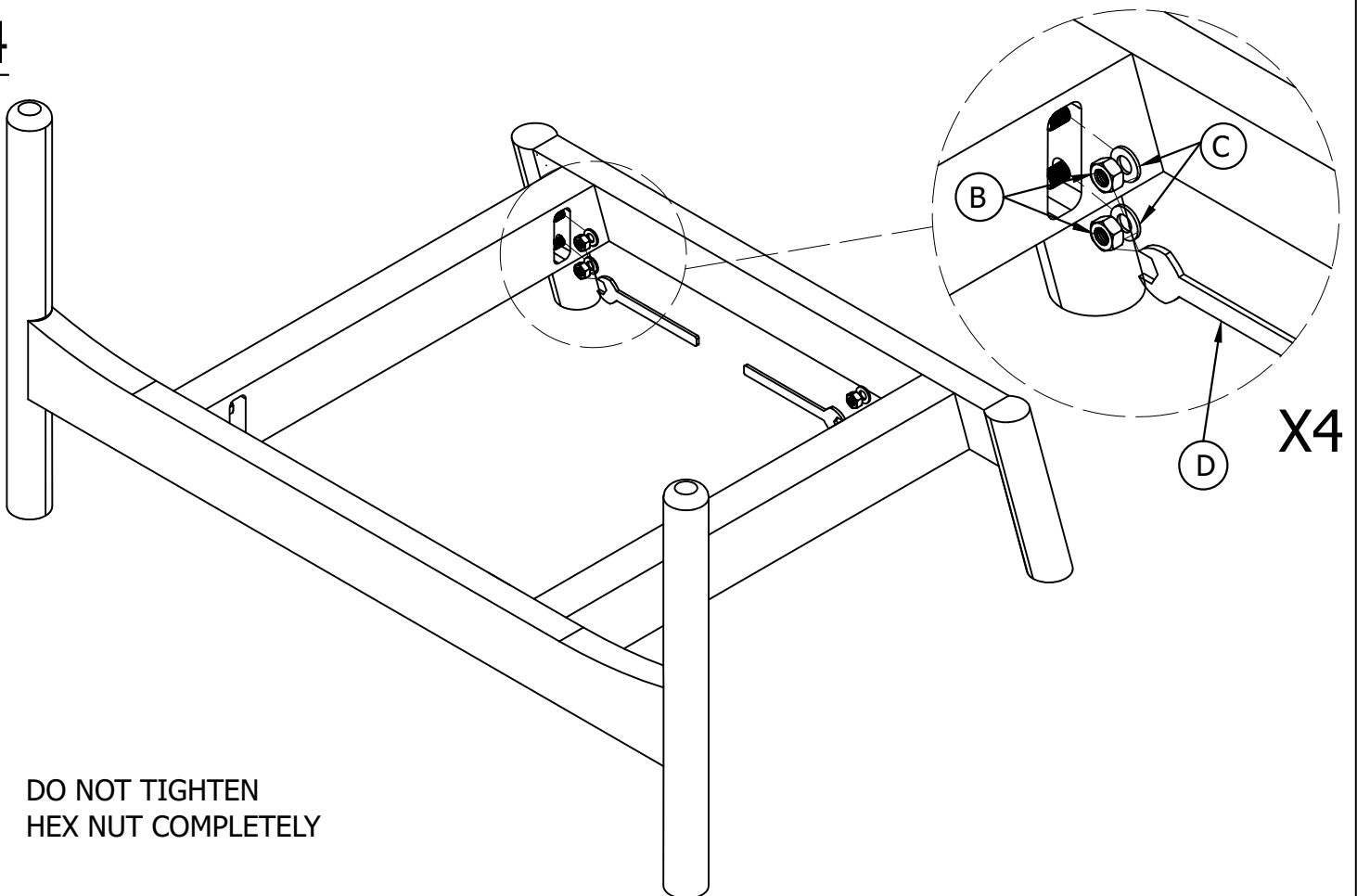
2



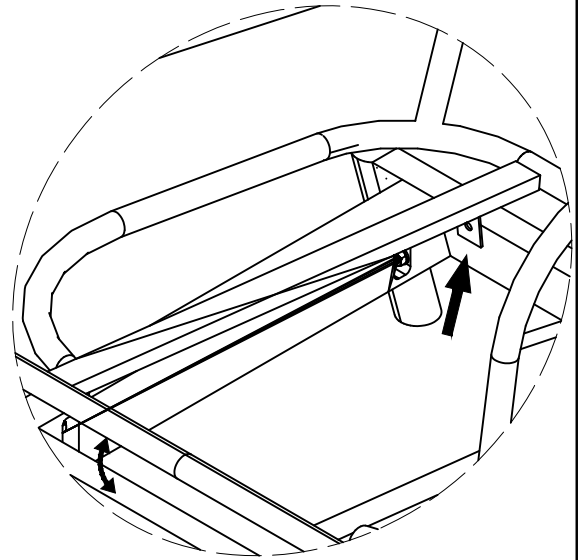
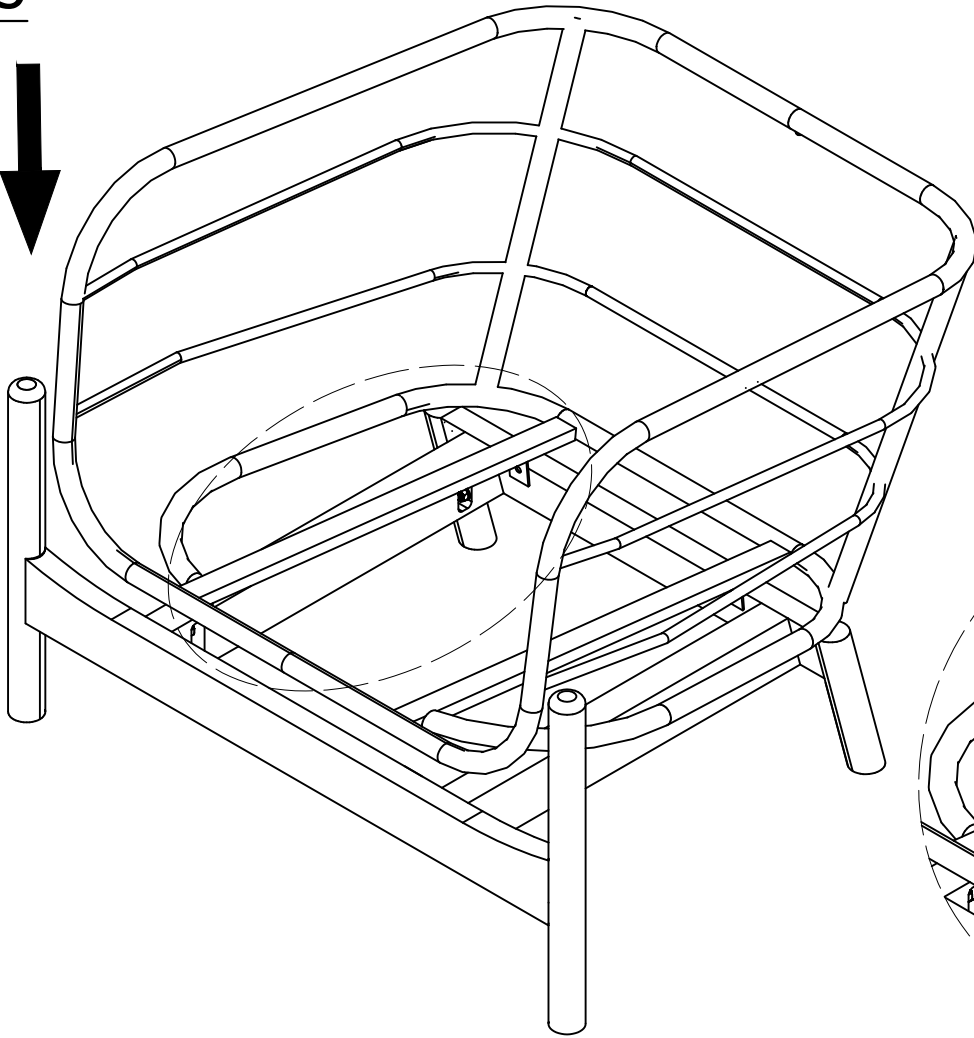
3



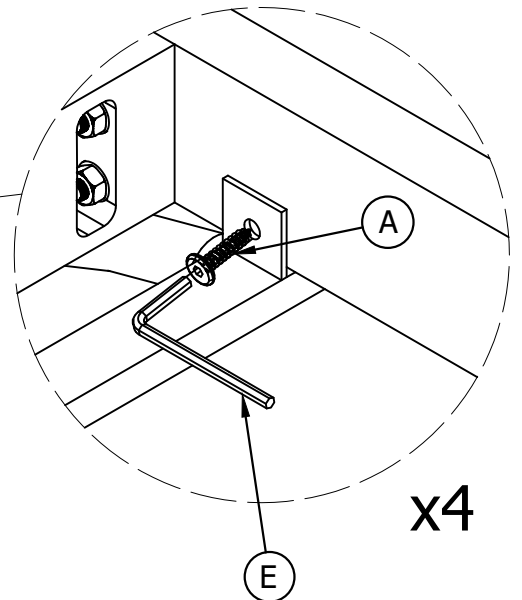
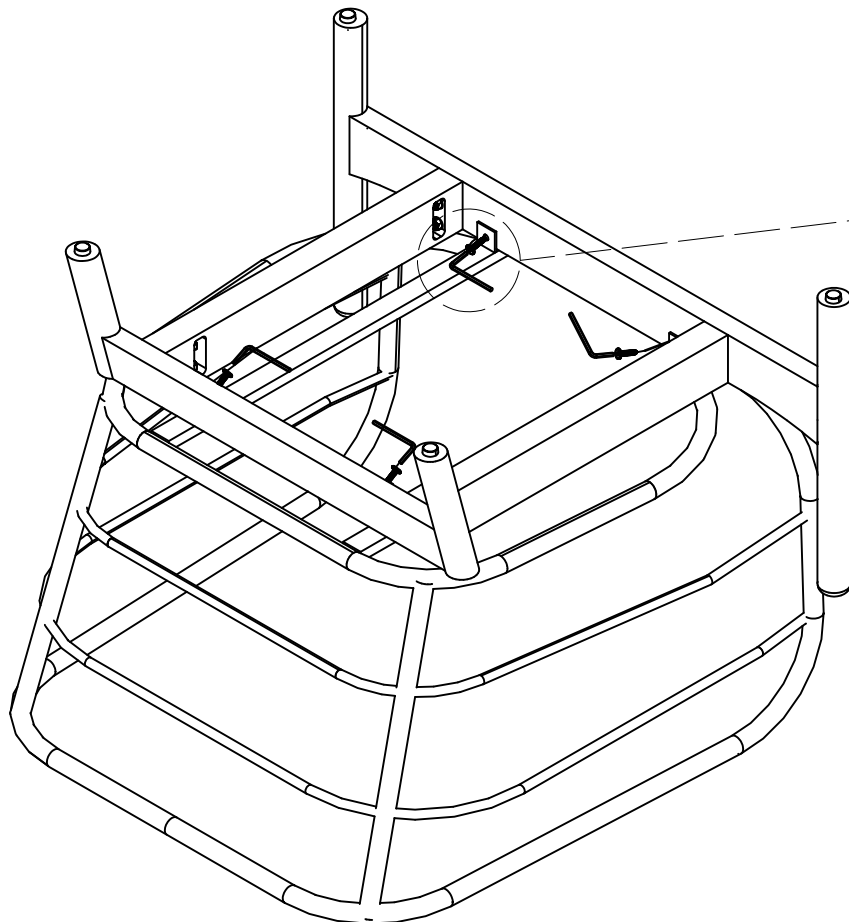
4



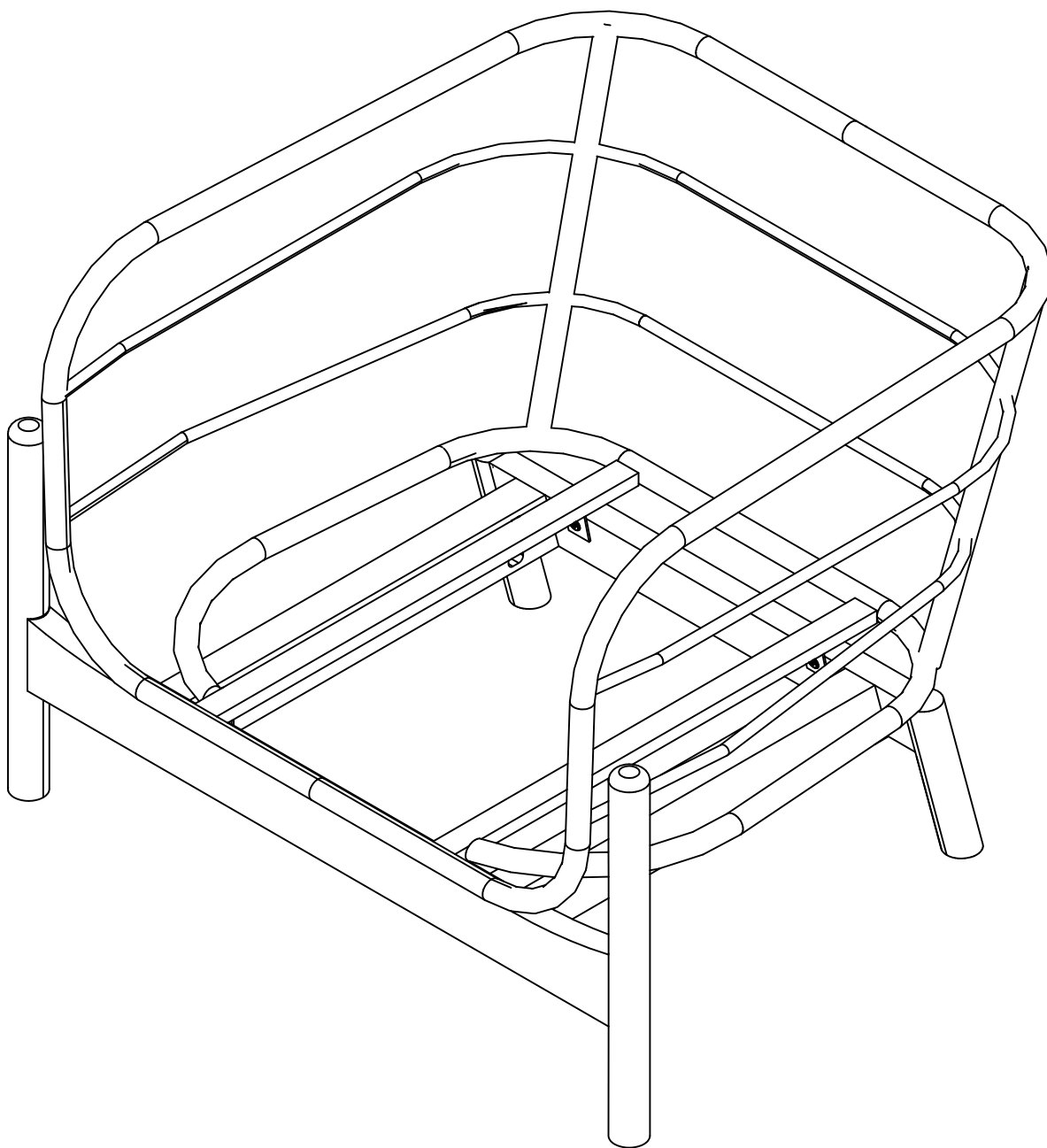
5



6



DO NOT TIGHTEN
F-SCREW COMPLETELY



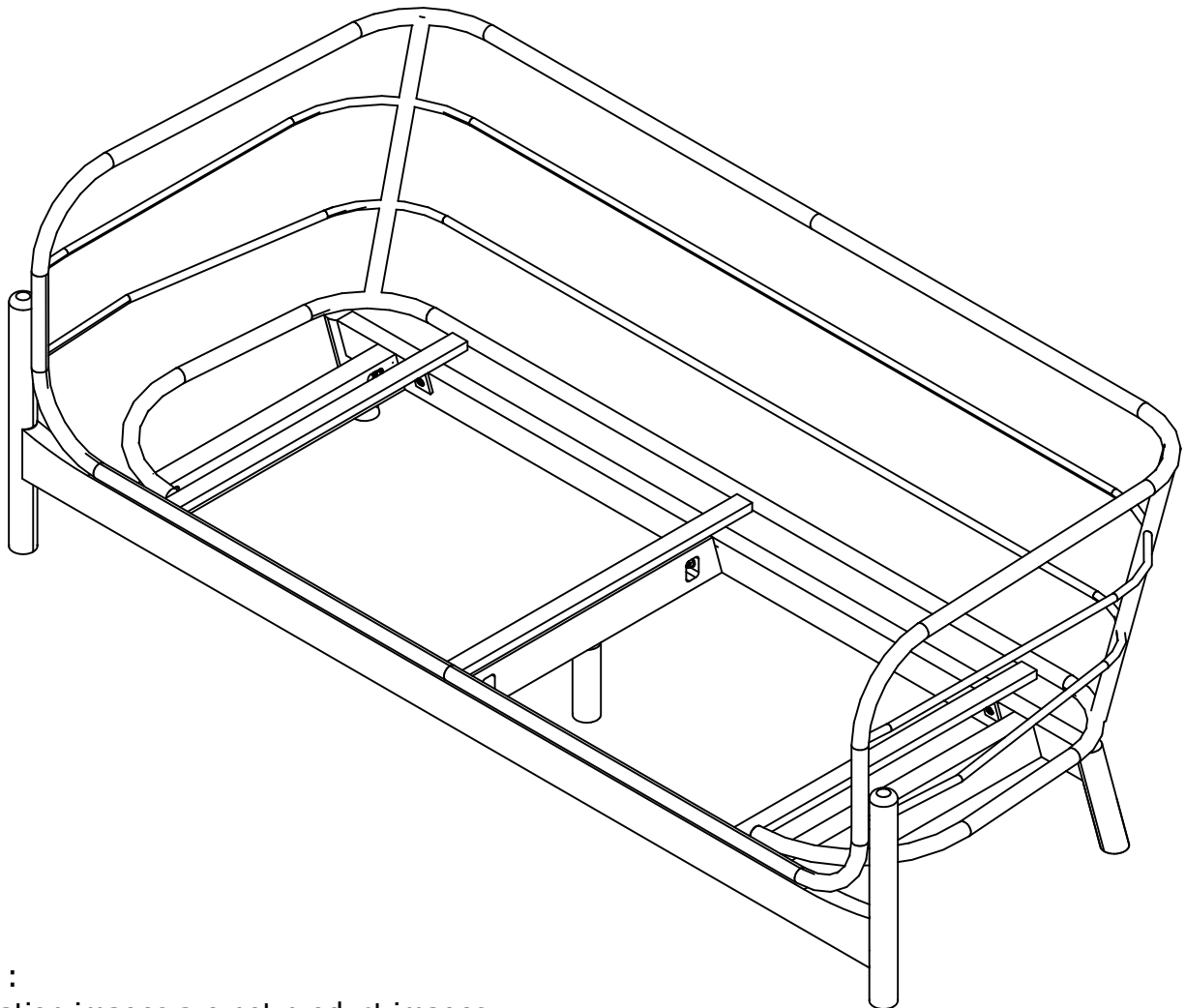
BE SURE TO CHECK ALL BOLTS ARE SECURELY TIGHTENED PRIOR TO USE.

ASSEMBLY INSTRUCTIONS

Read this instruction carefully. Refer hardware and furniture parts list for guidance. Be sure all parts are complete, before assembling. Place all wooden furniture part on a clean and flat soft surface to prevent scratches. Refer steps provided as assembling guide.

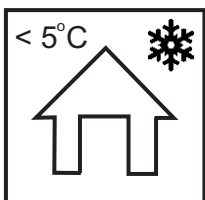
CAUTIONS :

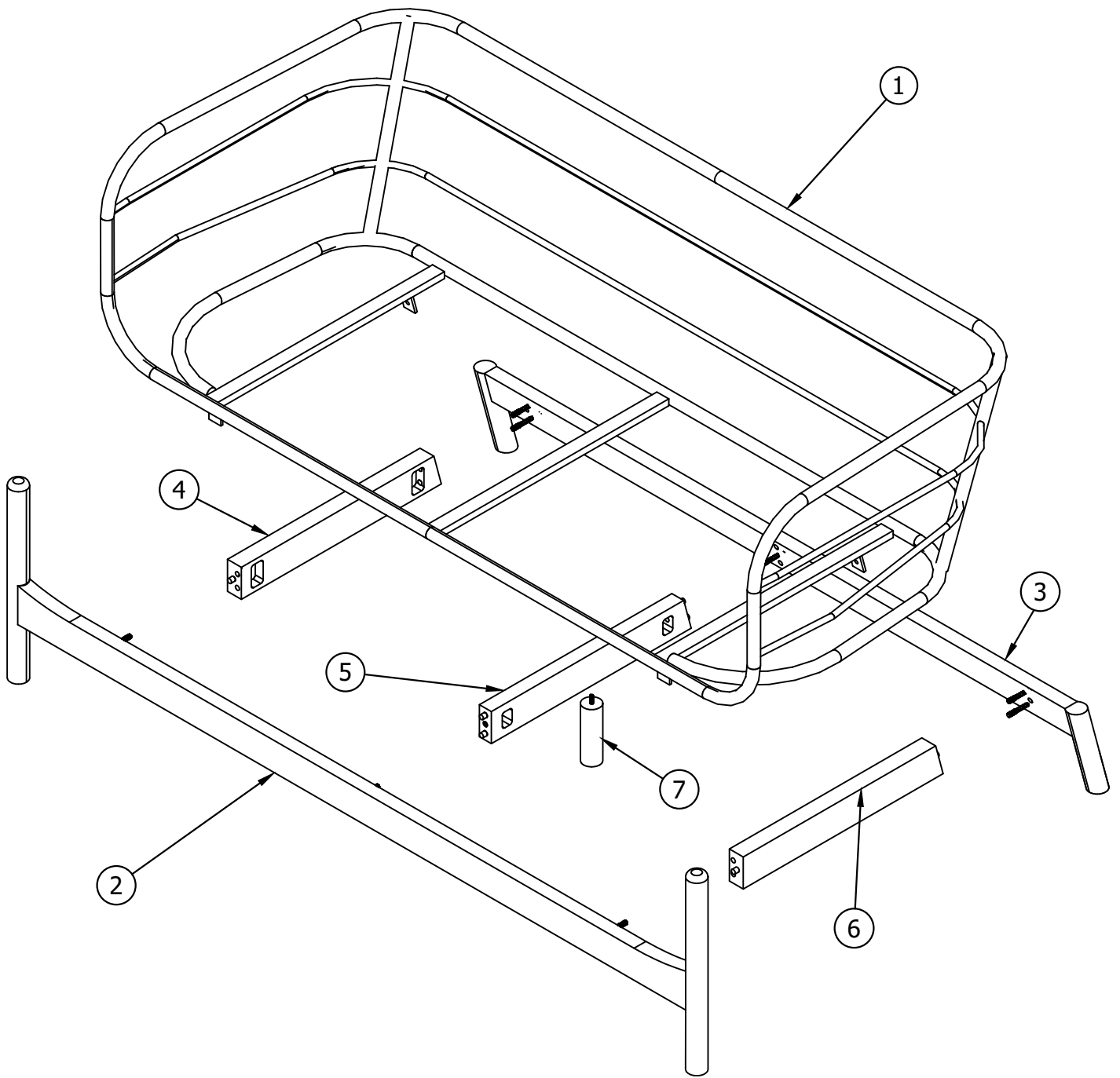
1. Do not **FULLY-TIGHTEN** the nuts or nut bolts until all are in place.
2. To prevent thread damage. Ensure that nuts or nut bolts are not over-tighten.
3. Hardware are to be kept out of reach from children.



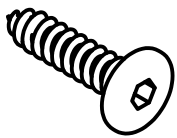
NOTE :

Illustration images are not product images



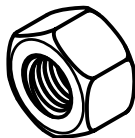


(A)



F-Screw 6x30
X
04PCS

(B)



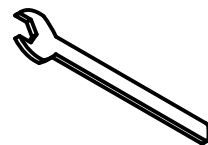
Hex nut 6.5x15
X
10PCS

(C)



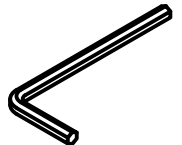
Washer
X
10PCS

(D)



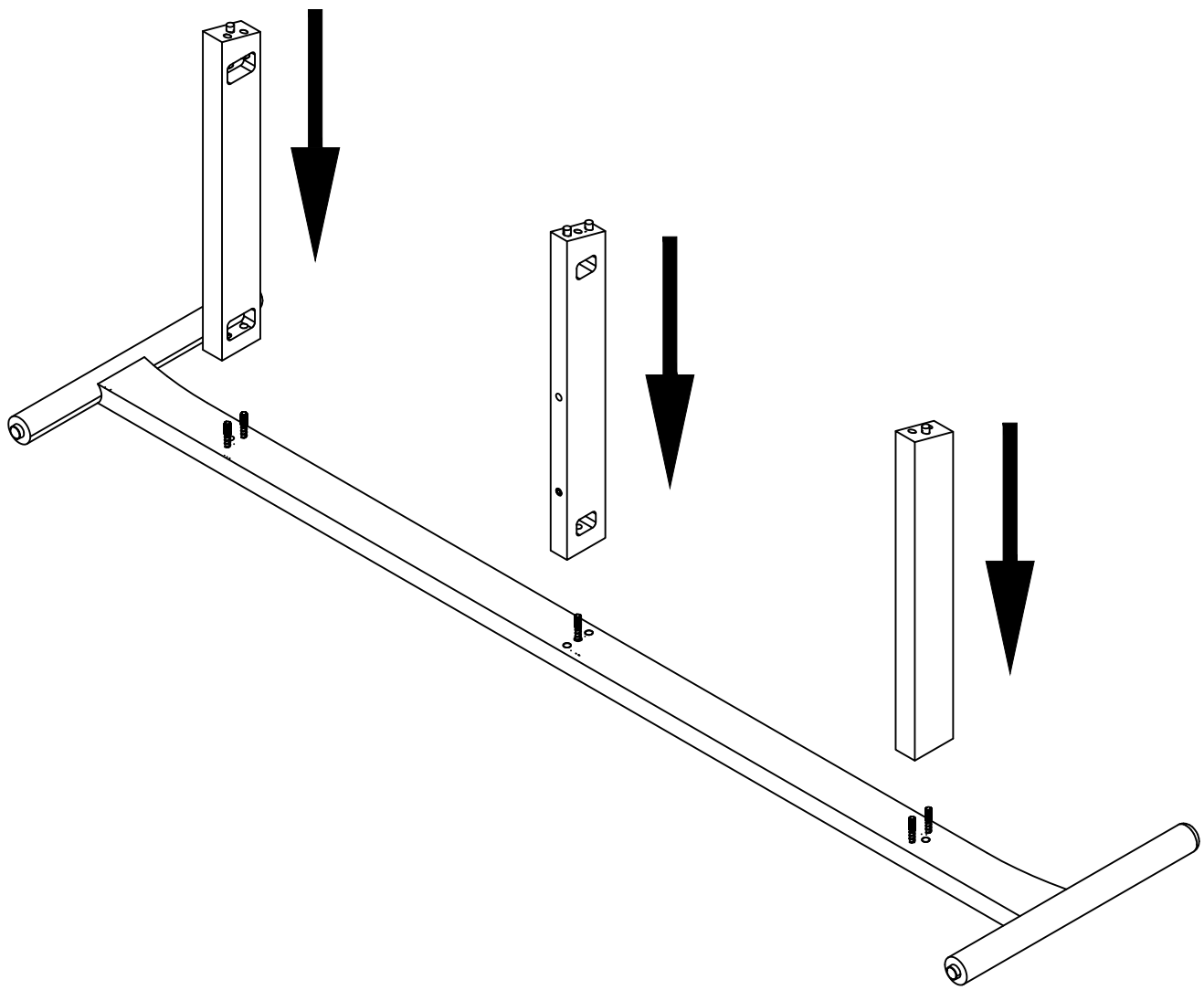
Wrench
X
01PC

(E)



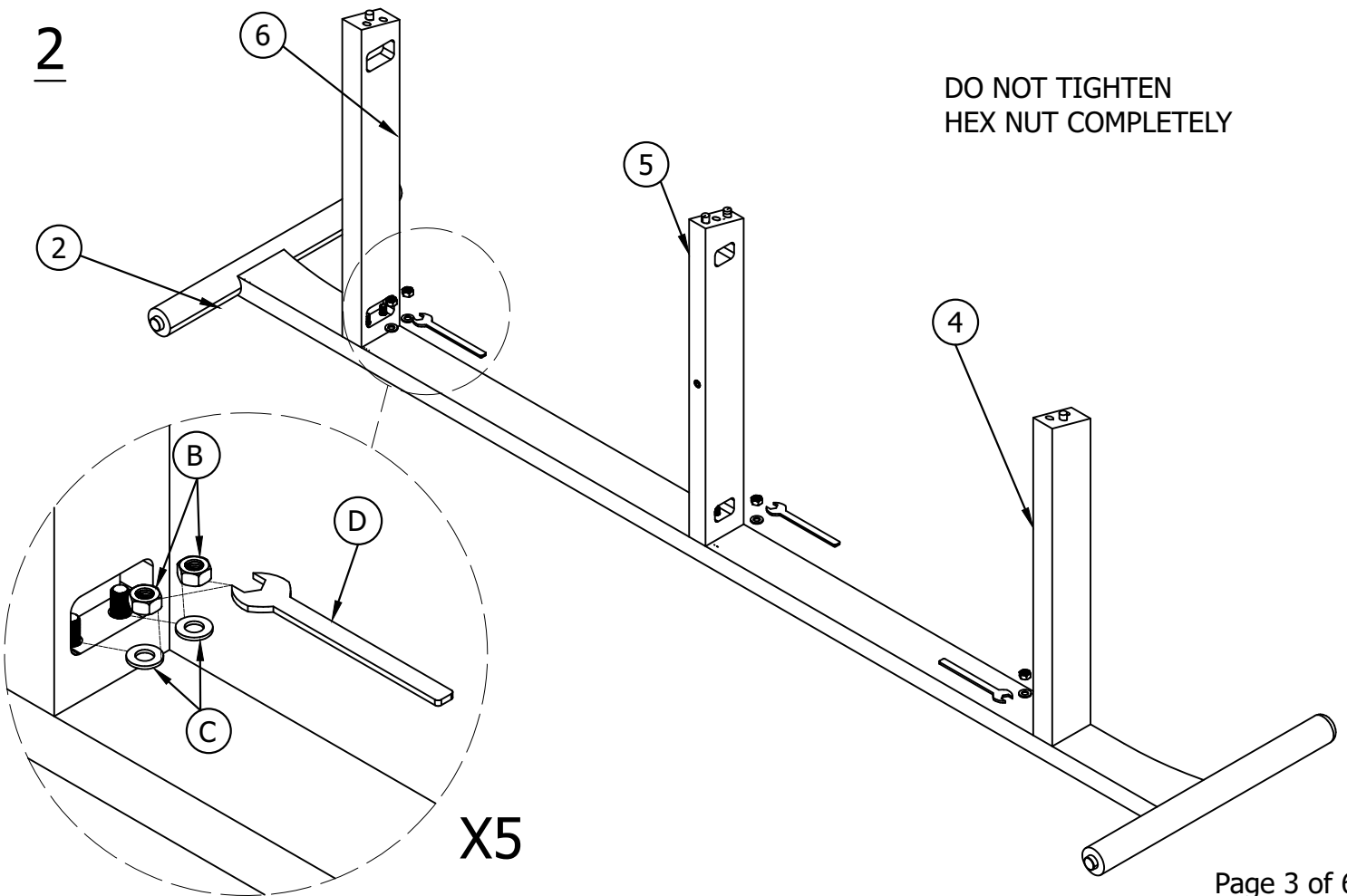
Allen key M4
X
01PC

1



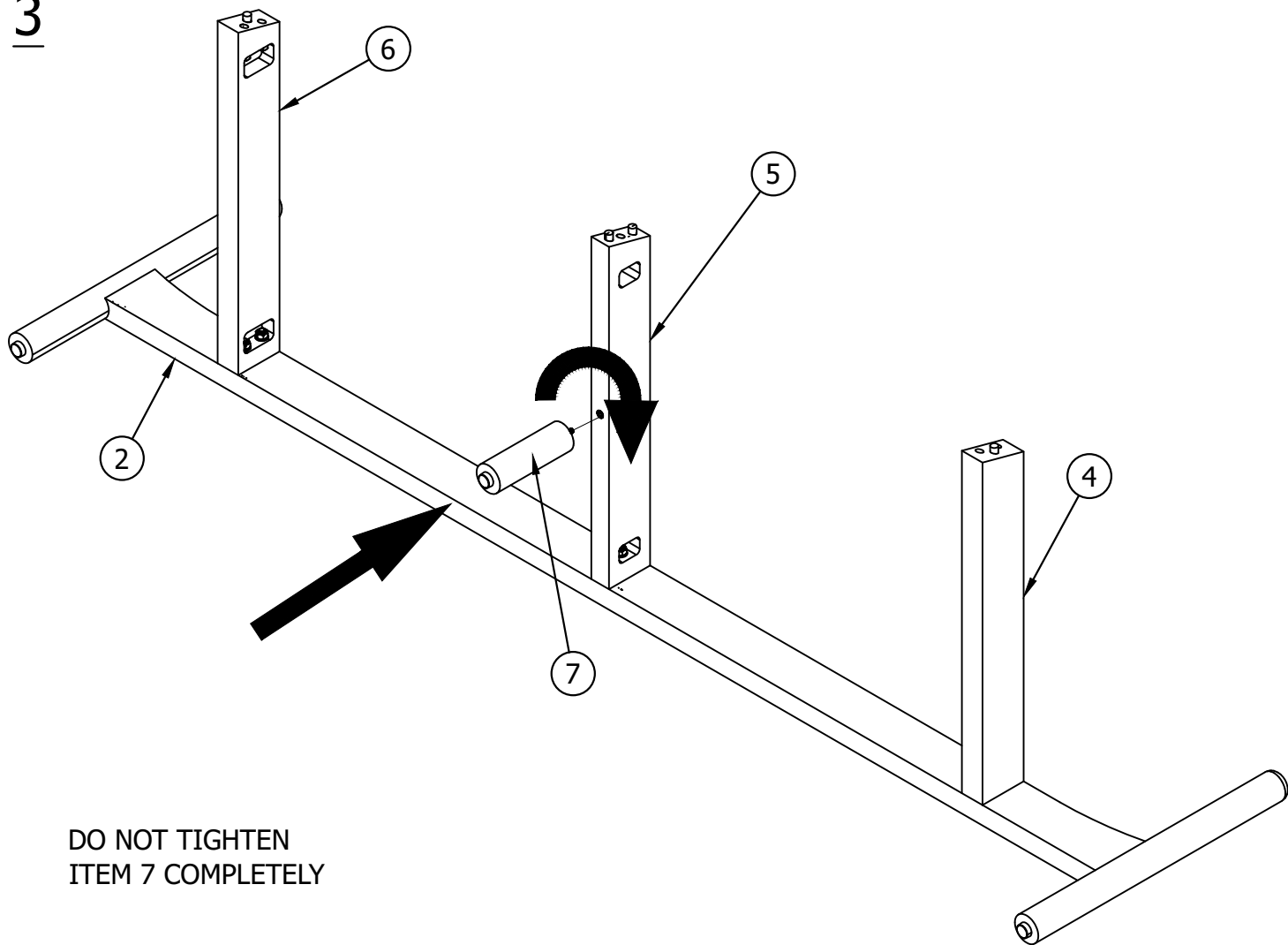
2

DO NOT TIGHTEN
HEX NUT COMPLETELY

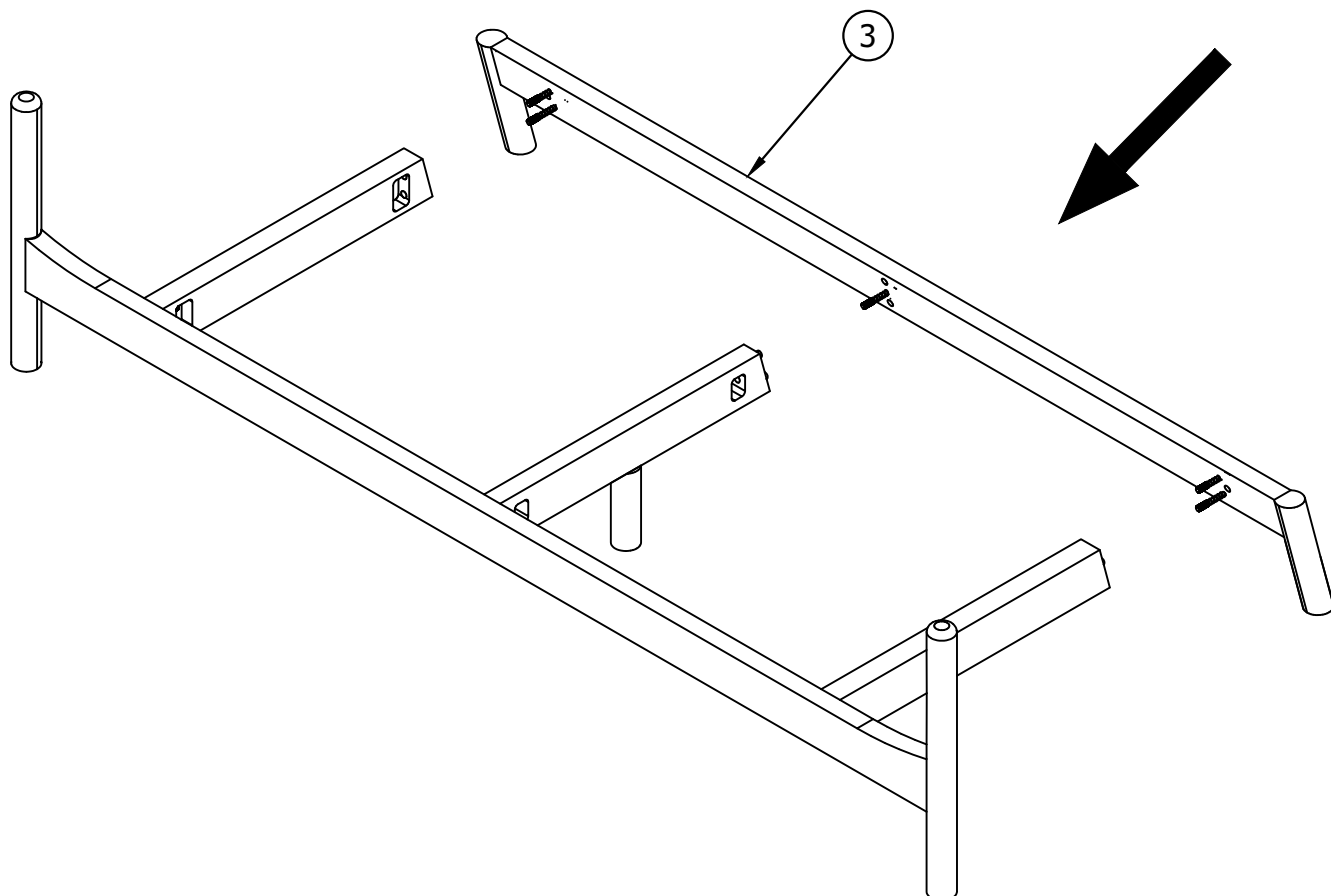


X5

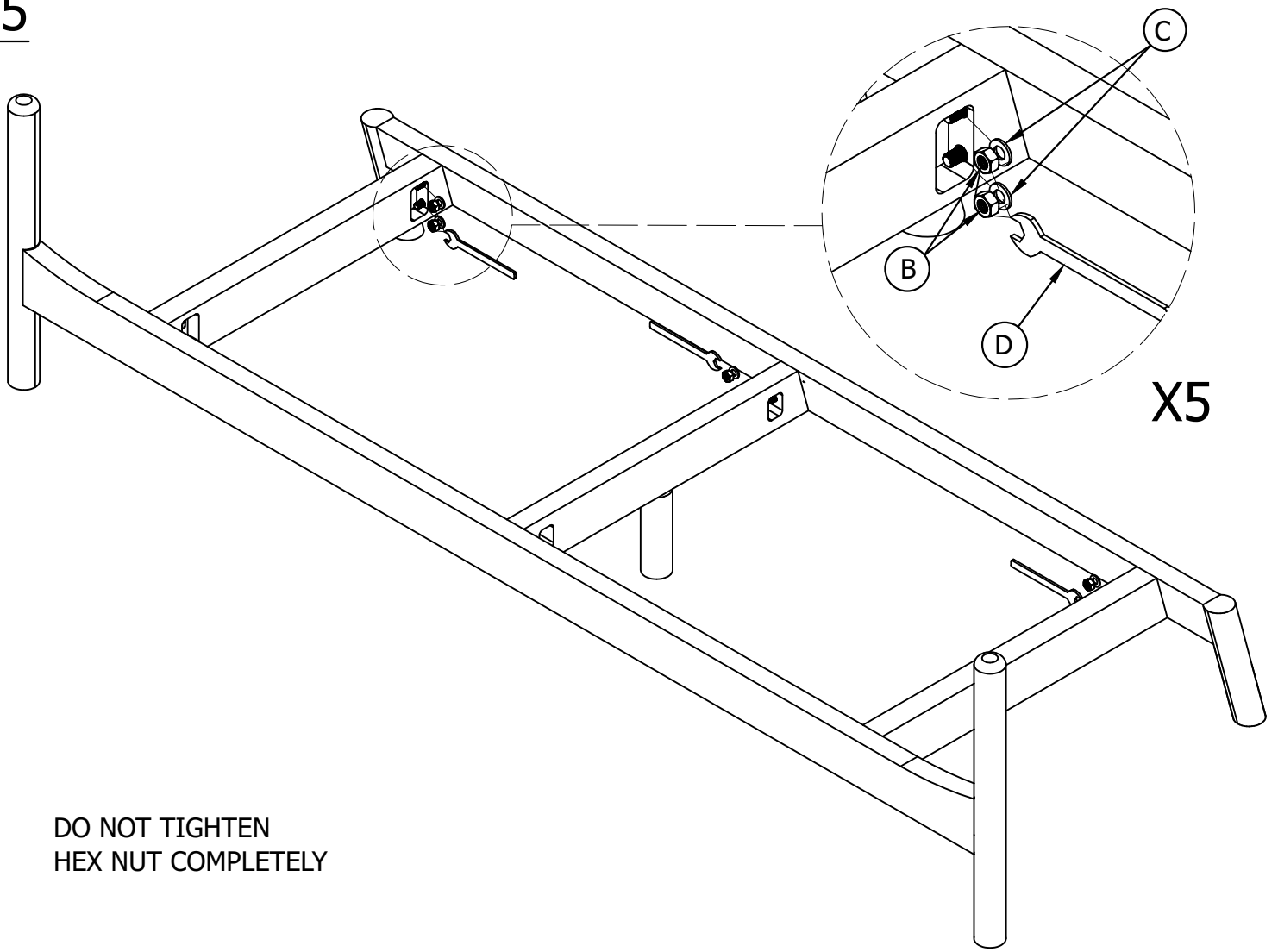
3



4

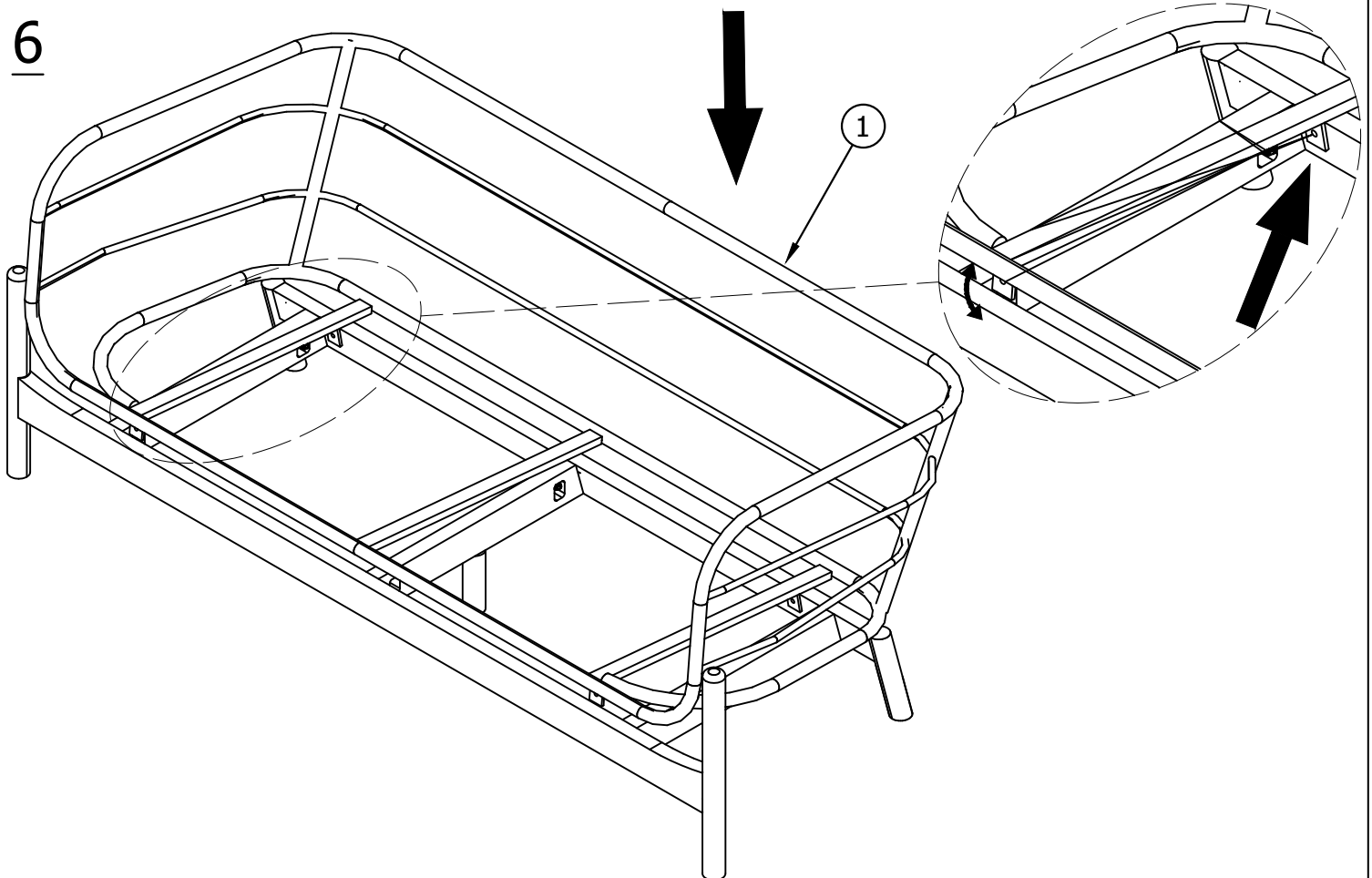


5

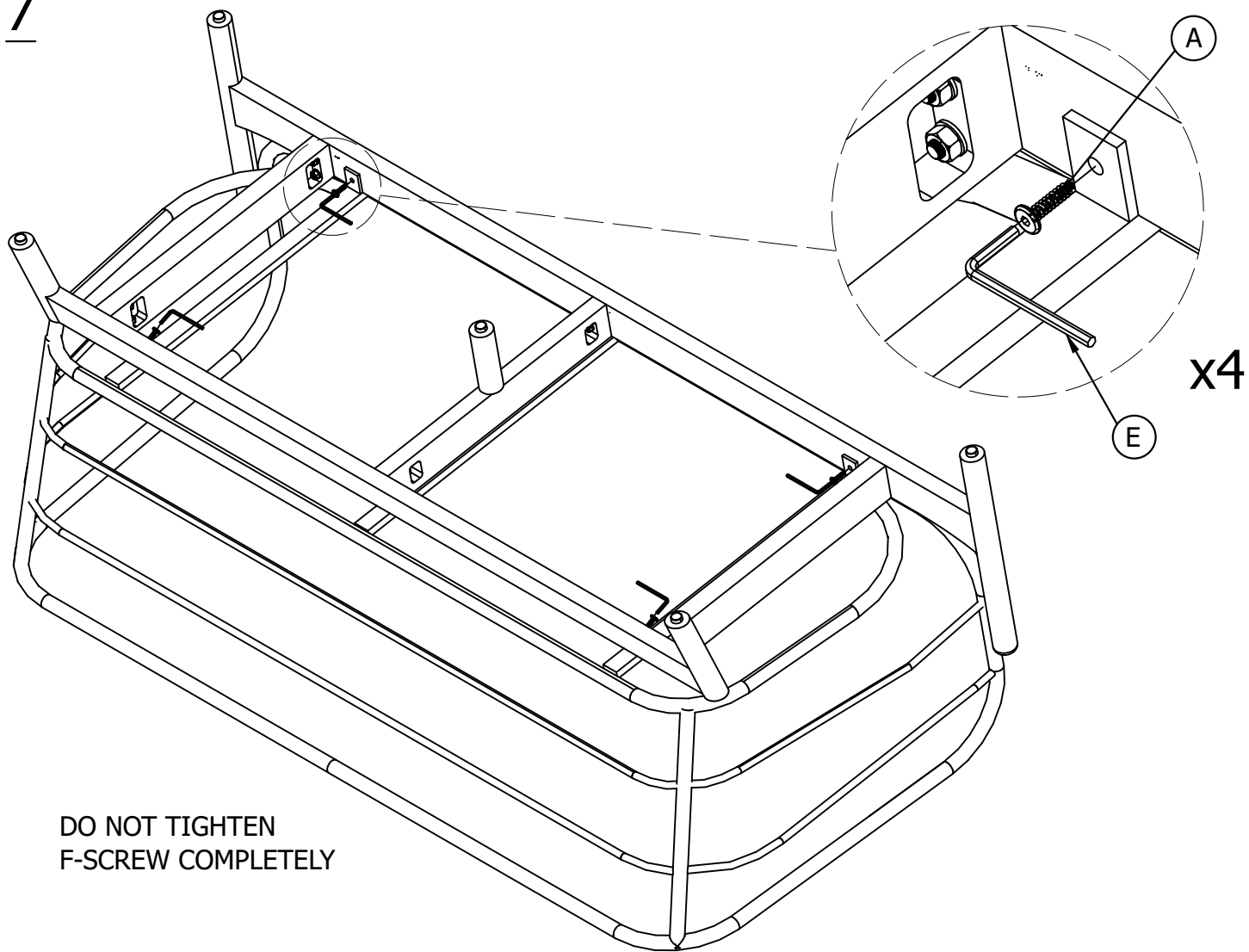


DO NOT TIGHTEN
HEX NUT COMPLETELY

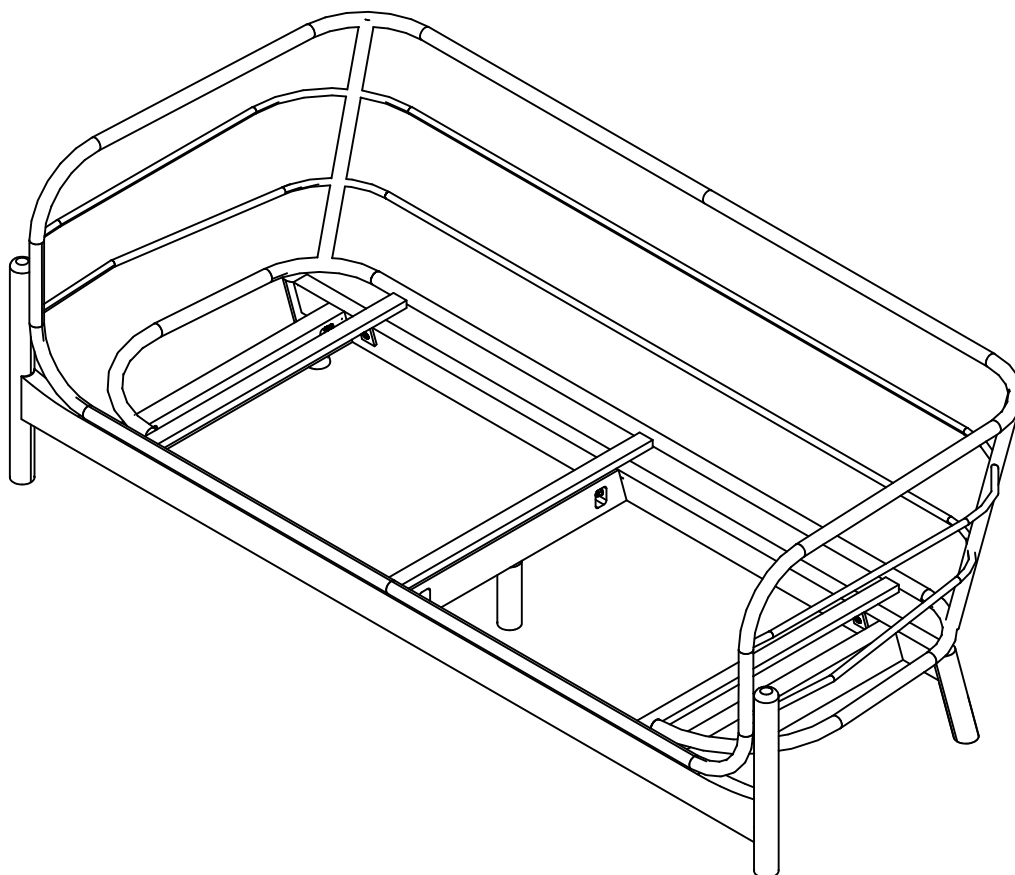
6



7



DO NOT TIGHTEN
F-SCREW COMPLETELY



BE SURE TO CHECK ALL BOLTS ARE SECURELY TIGHTENED PRIOR TO USE.