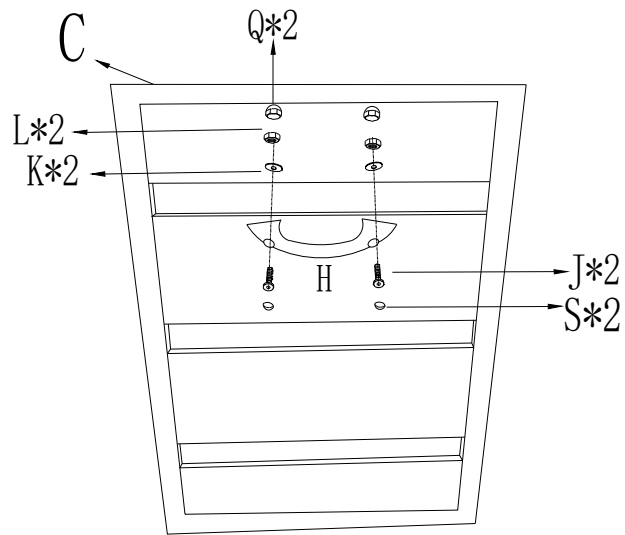
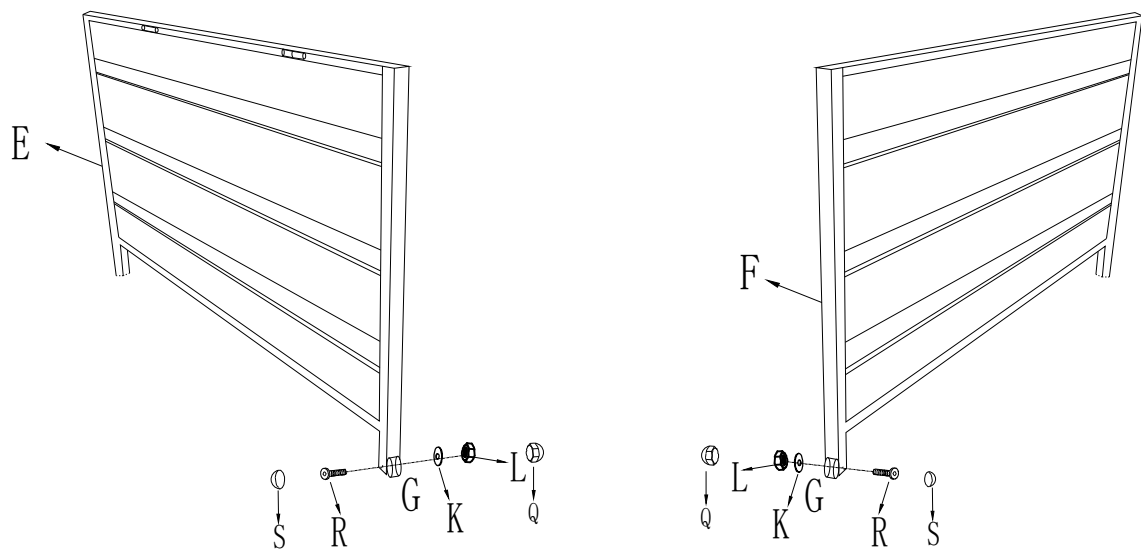


NO.	PART	QTY.
A		1
B		1
C		1
D		1
E		1
F		1
G		2
H		1
I		2
J	 M6*35	28
K	 Φ14*Φ6.5*1.0	32
L	 M6	6
M		1
N		1
O		2
P	 M6*25	4
Q		6
R	 M6*45	2
S		34
T		6

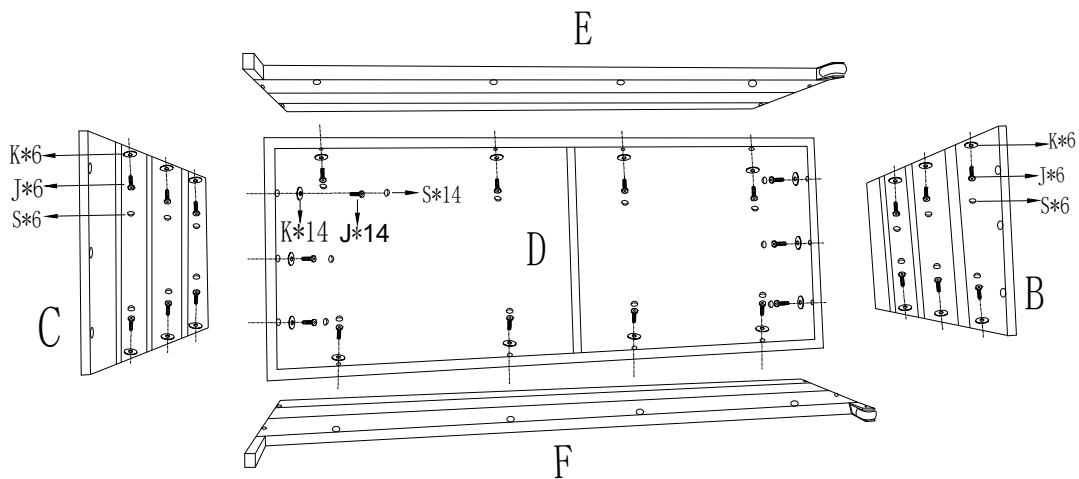
STEP. 1



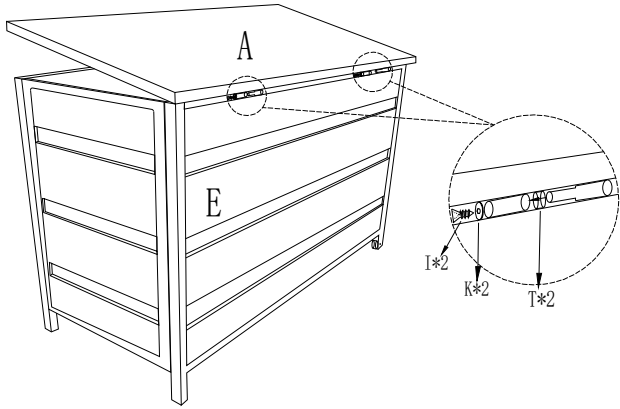
STEP. 2



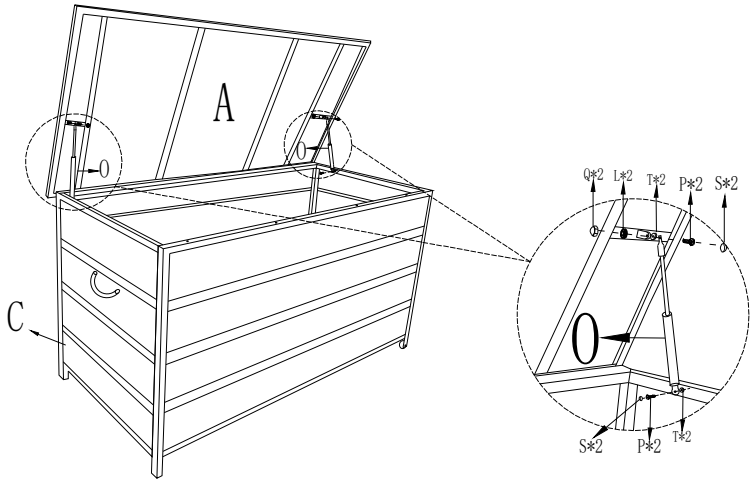
STEP. 3



STEP. 4



STEP. 5



STEP. 6

