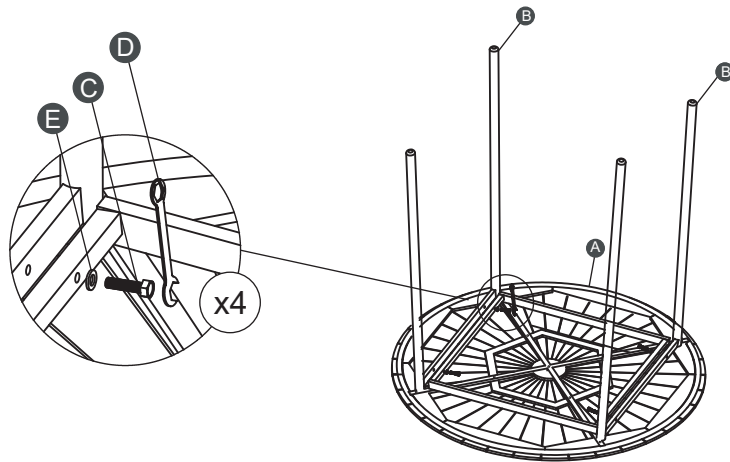
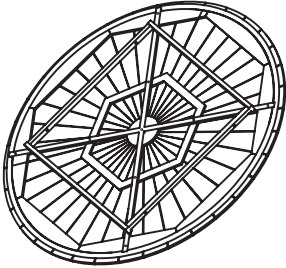
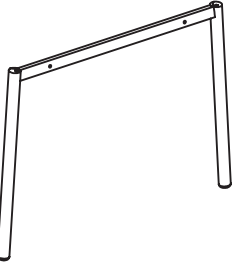

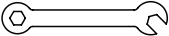



ASSEMBLY INSTRUCTION

1



PARTS INVENTORY

ID	DESCRIPTION	QTY
A		1
B		2
C	M8 × 50MM 	4
D	K13 	1
E	M8 	4

2

